

# Rotary Position Sensor

## PHS11 Series



### Features:

- Dust proof construction protects the interior from dust, which maintains stable characteristics
- Excellent resistance materials and high reliability wiper achieves 1,000,000 cycles
- Ultra-thin size (2.2mm height)

### Description:

The PHS11 series is a rotary position sensor that features dust proof construction, an ultra thin size, and a life cycle of 1 million cycles. Some applications are HVAC sensors and motor drive units.

### Applications:

- Rotary angle sensor
- Electric motor-driven bicycle
- Motor drive unit
- HAVC sensor

### Electrical Characteristics ( $T_A = 25^\circ \text{C}$ unless otherwise noted)

SYMBOL	PARAMETER	MIN	TYP	MAX	UNITS	TEST CONDITIONS
$\Omega$	Resistance	1K		100K	Ohms	
	Total resistance tolerance		$\pm 20\%$			
	Power rating			0.1W		
	Linearity (electrical angle $< 180^\circ$ )		$\pm 5$		%	
	Linearity ( $180^\circ \leq$ electrical angle $< 300^\circ$ )		$\pm 3$		%	
	Linearity (electrical angle $\geq 300^\circ$ )		$\pm 2$		%	
	Rotational noise			$< 80$	mV	
	Effective Electrical Angle		333	$\pm 3$	Degrees	
	TCR		$\pm 500$		ppm/ $^\circ\text{C}$	

### General Note

TT Electronics reserves the right to make changes in product specification without notice or liability. All information is subject to TT Electronics' own data and is considered accurate at time of going to print.

TT Electronics | BI Technologies  
4200 Bonita Place, Fullerton, CA 92835-1053 | Ph: +1 714 447 2300  
www.ttelectronics.com | sensors@ttelectronics.com

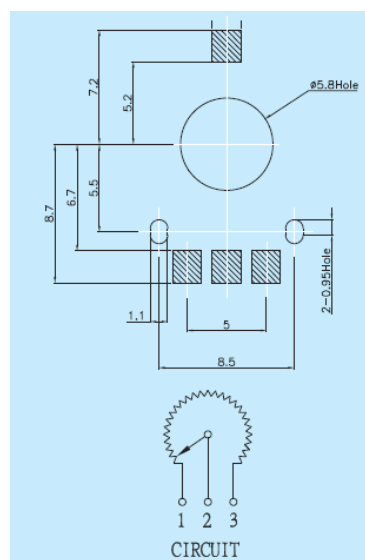
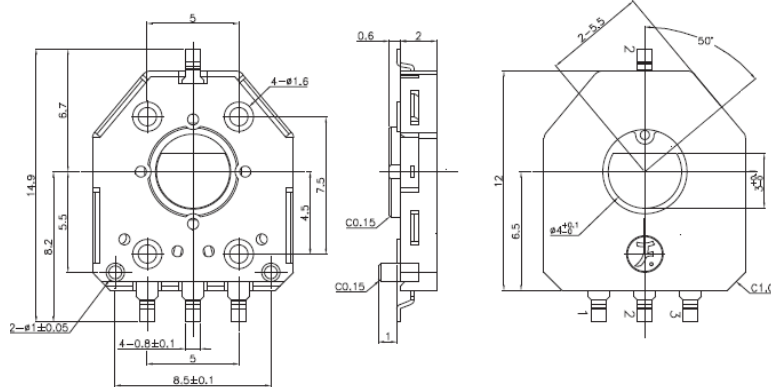
# Rotary Position Sensor

## PHS11 Series



Mechanical Characteristics	
Rotational Angle	360°
Rotational torque	0-30gf-cm
Shaft push/pull strength	> 1.0kgf for 10 sec min
Storage Temperature	-40°C to +120°C
Operating Temperature	-40°C to +120°C
Life Cycles	1,000,000 cycles min
Dry Heat	120 ± 3°C, 250 ± 8H ΔTR ± 20%, Linearity: ±2%
Cold	-40 ± 3°C, 168 ± 4H ΔTR ± 20%, Linearity: ±2%
Humidity	60 ± 2°C, 90 to 95RH, 250 ± 8H ΔTR ± 20%, Linearity: ±2%
Temperature Cycles	-40°C to +120°C, 5 cycles ΔTR ± 20%, Linearity: ±2%

### Packaging



#### General Note

TT Electronics reserves the right to make changes in product specification without notice or liability. All information is subject to TT Electronics' own data and is considered accurate at time of going to print.

### ORDERING INFORMATION

