

## RESISTORS FOR CIRCUIT PROTECTION - Application Note



Today's electronic circuits need reliable protection to operate amidst the potential hazards of inrush currents, high voltage surges and other overload conditions. That's why TT electronics resistors have kept circuits safe for more than 70 years, and why TT electronics continues to offer the industry's most comprehensive range of circuit protection resistors.

In addition to offering standard components, TT electronics has worked closely with designers to custom build resistors that are capable of handling high energy pulses. These components may also be designed to fuse, if required, in a controlled and safe manner under fault conditions.

This unique performance is made possible by:

- Selecting the optimum resistor technology necessary to best match the performance requirements.
- Utilising a specially designed coating system formulated to aid fusing under fault conditions.
- Utilising a flameproof protection system to eliminate flame during fusing.

Whether you're designing circuit protection for telecommunications, computers, consumer electronics or office equipment, TT electronics has the right resistor for your application.



### Resistor selected / designed to customer specifications

#### Available technologies

- **Metal Film**
- **Metal Oxide**
- **Wirewound**
- **Surface Mount**

## RESISTORS FOR CIRCUIT PROTECTION - Application Note

### 1. RCD Test Resistors

One specialist application for protection resistors is in RCD (Residual Current Device) or GFD (Ground Fault Detector) protection circuits, where these resistors form part of the test circuit as shown in the diagram.

In normal operation, if the RCD detects a current imbalance it will trip a relay causing an open circuit. The purpose of the test circuit is to create this imbalance and cause the relay to operate.

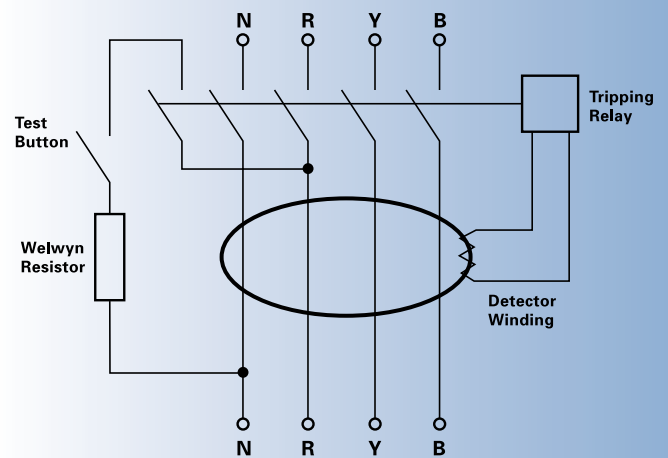
The resistor performs two functions in the test circuit; firstly it creates the load to produce the current imbalance. Secondly the resistor must withstand the initial current, to allow the relay to operate, but then if the relay fails to open the circuit after a given time the resistor must fuse safely.

Typically the relay will operate in 30 to 40 milliseconds. If it fails to do so the resistor will fuse safely in 450ms to 2 seconds. The value of this resistor will depend upon the required characteristics of the circuit. Pulse withstanding capability is typically 4000 volts with a 1.2/50-microsecond waveshape and the resistor can absorb up to 50 joules depending upon the value.

The resistor will fuse safely with 330 watts applied. The WMO-S series of metal oxide resistors has proved very effective in this application, due to their energy handling capabilities and overload withstand

ability.

Special versions of the WMO-S series have also been produced, as detailed in the example above, which incorporate fusing capabilities to provide fail safe protection. Other designs of RCD's have used Surface Mounted Chip (LR/CR series) resistors in parts of the control circuit. These 'electronic' versions are usually found in industrial RCD's and in domestic units outside the United Kingdom.



### Power Metal Oxide Film Resistors

#### WMO-S Series

- Small size for power rating
- Can replace carbon composition in many pulse handling applications
- Flameproof protection



### Electrical Data

		WMO <sup>1</sup> / <sub>2</sub> S	WMO1S	WMO2S	WMO3S	WMO5S	WMO7S
Power rating @70%	watts	1/2	1	2	3	5	7
Resistance range	ohms	10R-100K	10R-120K	10R-150K		10R-180K	20R-150K
Limiting element voltage	volts	250	300	350		500	750
TCR (25 to 75 °C)	ppm/ °C	350					
Isolation Voltage	volts	250	350		500	750	
Resistance tolerance	%	5					
Standard Values		E24					
Thermal Impedance	°C/watt	125	105	75	63	42	36
Ambient temperature range	°C	-55 to +155					

## RESISTORS FOR CIRCUIT PROTECTION - Application Note

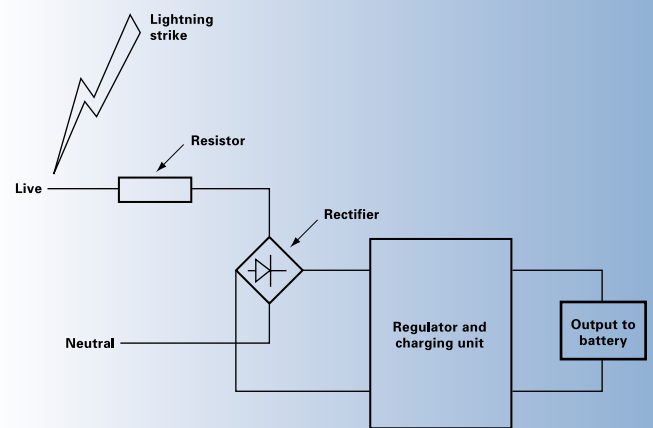
### 2. Inrush Current

Despite technological advances one problem that has never been fully resolved is that of 'inrush' current. This phenomenon, caused by initial capacitor charging surges and/or transformer magnetising currents can subject the input circuitry of equipment to currents many times higher than under normal operating conditions albeit for only a short duration. This can result in damage to the components through which this current surge flows and in some cases can result in premature failure. Fuses, traditionally used to protect circuits from such overloads, now have to be specially selected to fail only under specific conditions of current and duration. Some of the solutions designers have used to limit these transients and minimise the problems vary from positive temperature co-efficient resistors right through the spectrum of technology to 'soft-start' techniques to gradually ramp up the supplies. Few of these ever meet the all important criteria of reliability and low cost. The circuit above shows one such application; a battery charger. In this application the customer required the resistor to withstand an inrush surge, and also a lightning strike.

The lightning strike is usually simulated by either a 1.2/50 microsecond or 10/700 microsecond pulse shape, the number of pulses and pulse interval are specified by the customer depending upon the application.

An additional feature which is required for this type of circuit is the ability of the resistor to fuse safely should a short circuit occur (for example if the bridge rectifier were to fail short circuit). Typical parts

used are ULW Series (UL recognised wirewound) and WA80 / WP-S Series (Cement Coated Wirewound) resistors often with special features to meet specific application requirements. Both of these parts have defined energy handling capabilities. Special versions can be produced to withstand customer defined pulses and/or to fuse during defined conditions of overload.



### Fast Fusible Metal Film Resistors

#### ULW Series

- **UL1412 recognised fusible resistor**
- **Pulse withstanding wirewound technology**
- **UL94-V0 flameproof fusing**



### Electrical Data

		ULW2	ULW3	ULW4	ULW5
Power rating at 25°C	watts	2	3	4	5
5 second overload rating at 25°C	watts	10	15	20	25
Inrush / surge performance		See Pulse Performance graphs			
Resistance range	ohms	22 to 100	10 to 100	10	4R7-100
TCR	ppm/°C	±200			
Isolation voltage	volts	250	350	500	
Resistance tolerance	%	5			
UL recognised standard values	ohms	22, 33, 47, 68, 100	10, 22, 27, 33, 47, 68, 100	10	4R7, 10, 22, 27, 33, 47, 68, 100
Thermal impedance	°C/watt	110	82	62	54
Ambient temperature range	°C	-55 to +155			

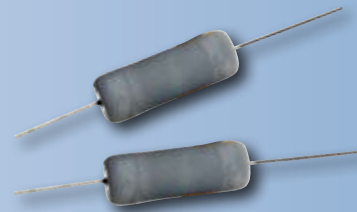
## RESISTORS FOR CIRCUIT PROTECTION - Application Note

### General Purpose Cement Coated Wirewound Resistors

#### Flameproof Cement Wirewound Resistors

##### WP-S Series

- Robust wirewound technology
- UL94-V0 flameproof fusing
- Pulse withstanding customisation available



#### Electrical Data

		WP1S	WP2S	WP25S	WP3S	WP4S	WP5S
Power rating at 25°C	watts	1	2	2.5	3	4	5
Overload Rating (5s)	watts	5	10	12.5	15	20	25
Short pulse performance		Available on request					
Resistance range	ohms	R068 to 430R	R05 to 900R	R05 to 900R	R01 to 2K2	R01 to 10K	R015 to 6K8
Limiting element voltage	volts	50	50	75	100	100	150
TCR	ppm/°C	<1R:350 =1R: 200					
Isolation voltage	volts	250			350	500	
Resistance tolerance	%	<20R: 5 ≥20R: 1, 2, 5				<R10:5 ≥1r10: 1,2, 5	<20R: 5 ≥20R: 1, 2, 5
Standard values		E24 preferred					
Thermal Impedance	°C/watt	140	110	90	82	62	54
Ambient temp range	°C	-55 to +155					

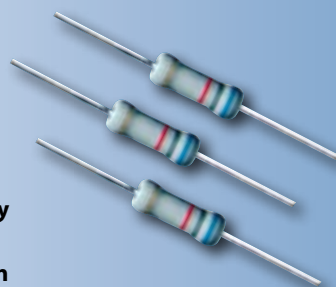
#### Electrical Data

#### Pulse Withstanding Fusible Flameproof Metal Film Resistors

##### EMC Series

- UL1412 recognised\*
- Failsafe 240V mains fusing
- Good pulse handling capability
- Small size for power rating
- UL94-V0 flameproof protection

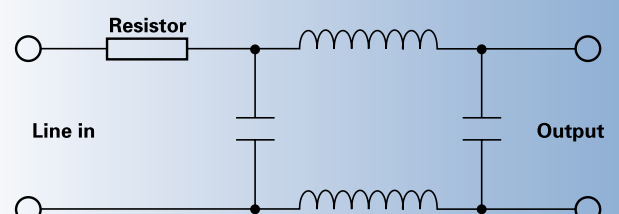
\* Values 22R and above. UL file number E234469



		EMC2
Power rating at 70°C	watts	2
Resistance range	ohms	4R7 – 68R
TCR	ppm/°C	100
Isolation Voltage	Volts	500
Resistance tolerance	%	10, 20
Standard values		E12
Thermal impedance	°C/watt	82
Ambient temperature range	°C	-55 to +155

Another application involving current limiting is in EMI filters, often found in power supplies and lighting circuits. The circuit right shows a typical EMI filter and the location of the safety resistor. Parts used include FM series and EMC series. The resistor is chosen/ designed to withstand a specified inrush surge and to fuse safely should a fault occur.

For applications requiring very high energy pulses or very high inrush surges TT electronics has a range of Vitreous Enamelled resistors with high overload capability and defined energy handling which are perfectly suited. These are available in five standard body sizes with power ratings of 3 to 14W. TT electronics also has the ability to design custom parts for specific applications.



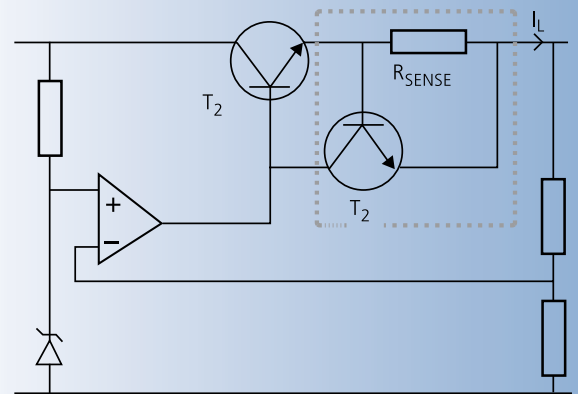
## PULSE & OVERLOAD CAPABILITY OF WIREWOUND RESISTORS - Application Note

### 3. Short Circuit or Overload Protection

Many power supplies incorporate some form of short circuit or overload protection (sometimes called over current protection) in their output stage. Protection in older circuits was often achieved using a simple bimetallic switch in series with the output. However these proved to be inaccurate, slow to react and unreliable in operation. Modern circuits now use an electronic method to monitor the power supply output current and to control the output should a fault occur. A typical example is shown overleaf in the form of a series voltage regulator with constant current limiting (the current limiting section of the circuit is high lighted). The load current ( $I_L$ ) passes through the sense resistor  $R_{SENSE}$  and creates a voltage between the base and emitter of transistor  $T_2$ . When  $I_L$  reaches a preset maximum value, the voltage drop across  $R_{SENSE}$  is sufficient to forward bias the base-emitter junction of  $T_2$  causing it to conduct. This diverts the base current from  $T_1$  into the collector of  $T_2$  so that  $I_L$  is limited to its maximum value.

The resistor needs to be carefully selected, firstly to give the correct voltage drop for the intended maximum output current and secondly because the full load current will pass through it. Obviously power ratings will vary with the specific power supply and value selected.

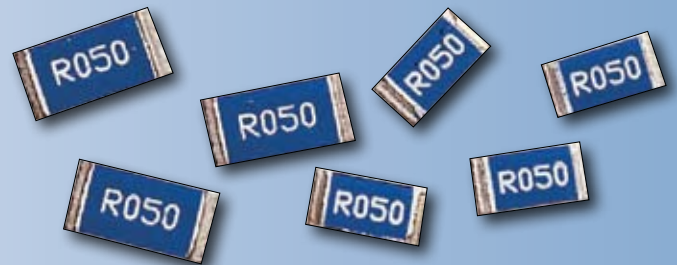
TT electronics can offer a wide range of current sense products. One of the most compact and versatile is the LR series of low value chip resistors. For other options, see our Application Note "Current Sense Resistors".



#### Low Value Flat Chip Resistors

##### LR Series

- Resistance values down to 0.003 ohms
- Leach resistant solder plated copper wrap around termination
- Low inductance - less than 0.2nH



#### Electrical Data

Category:		LR1206	LR2010	LR2512		LRF3W
Power rating at 70°C	Watts	0.5	1.0	1.5	2.0	3.0
Resistance range	Ohms	0R003 - -10R				0R003 - 0R1
Tolerance	%	<0R01 : 5% ≥0R01 : 1,2,5%	1, 2, 5%			
Number of terminals		2	2	2		2
Dielectric withstand	Volts	200	200	200		200
TCR	ppm/°C	≥0R05 : 100	≥0R05 : 100	≥0R05 : 100		≥0R01 : 100
Temperature rise at rated power	°C	40	80	90		100
Total pad & trace area for rated power at 70°C	mm <sup>2</sup>	30	30	100	300	300
Nominal dimensions L x W	mm	3.20 x 1.63	5.23 x 2.64	6.50 x 3.25		3.25 x 6.50
Termination style		≤0R025 Flip-chip, >0R025 Normal				Flip-chip

## PULSE & OVERLOAD CAPABILITY OF WIREWOUND RESISTORS - Application Note

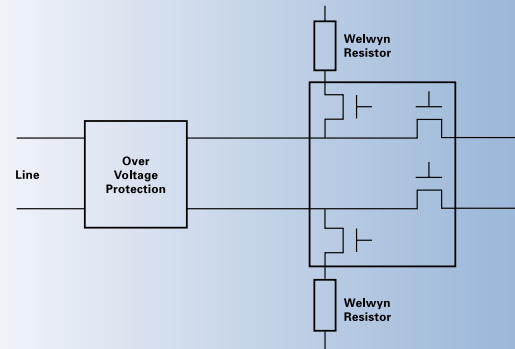
### 4. Telecommunications

Telephone lines can be subjected to a large range of voltage disturbances, many of which can damage switching equipment. This has led to the need for circuit protection against both high voltage transients, usually of short duration due to lightning strikes and overloads of longer duration caused by accidental direct connection to mains power lines.

These two faults are separated into primary and secondary protection. Primary protection handles the high voltage transients, and is usually located within the exchange. Secondary protection is usually built into the equipment to be protected, and deals with both current and voltage limiting. Voltage limiting prevents damage to the equipment and shock hazards, and current limiting prevents damage to wiring and voltage limiters.

A typical application circuit is shown right where the resistors are designed for ring signal sending through a solid state relay. The resistors are protected from lightning surge by Over-voltage Protection in the system and the resistors are required to withstand pulse of 15 Watts for 1 second and 75 Watts for 0.1 second, repeated 60 times.

For this application, TT electronics has developed the Pulse Withstanding Chip (PWC series) described below. For full details on this product, see our Application Note "Pulse Withstanding Chip Resistors".



#### Pulse Withstanding Chip Resistors

##### PWC Series

- **Excellent pulse handling performance**
- **Thick film technology provides wide resistance and temperature ranges (1ohm to 10 meg ohm; -55 to +155°C)**
- **Standard and custom chip sizes (0805 to 2512)**

Size	0805	1206	2010	2512
Power @70°C	0.125W	0.33W	0.75W	1.5W
Resistance range	1R0 to 10M			
Tolerance	0.5, 1, 2, 5%			
LEV	150V	200V	400V	500V
TCR	<10R:200ppm/°C ≥10R:100ppm/°C			
Operating temperature	-55 to +155°C			
Values	E96 preferred other values to special order			
Pulse capability	See following pages			

Note: Circuit diagrams shown for example only.

## TT electronics: leading in fixed resistor technology.

www.ttelectronics.com

www.bitechnologies.com

www.irctt.com

www.welwyn-tt.com

Europe: sales@ttelectronicseurope.com

Asia: sales@ttelectronicasia.com

Americas: sales@ttelectronics-na.com

#### General Note

TT electronics reserves the right to make changes in product specification without notice or liability. All information is subject to TT electronics' own data and is considered accurate at time of going to print.



TT electronics companies