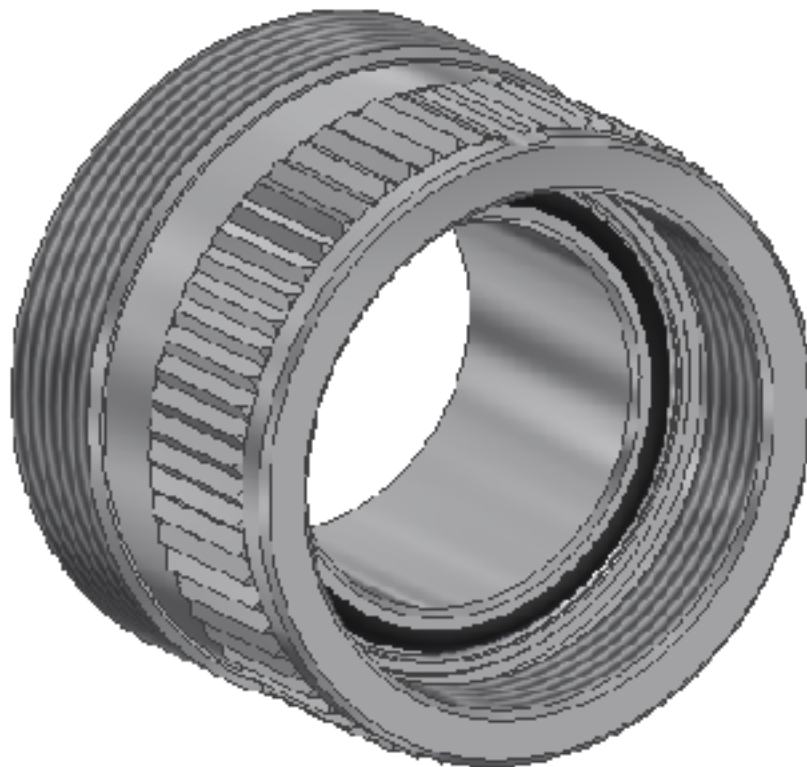


## **Assembly Instructions for New Design method for CRA / BST**



**Revision: A**

**AB Connectors Ltd**

## **1. Report Summary**

Test requested by: Quality

Date samples received: 04/04/2018.

Date of test completion: 05/04/2018

Product type: ABCIRH.

Product description: Assemble CRT / BST (with Braid & Band-It Tie) for sizes 18, 20-22 & 24-28.

Summary of requirement: Confirm Braid Diameter for Shell sizes.

Test result.

Author: Andrew John

## **2.Introduction**

Design modified in both CRA / BST to improve continuity (Ref : TSR-00009).

Customer concern was raised upon assembling size 18 CRA / BST assemblies with Braid & Band-It Tie, study to be carried out for Braid sizes & Band-It-Ties:

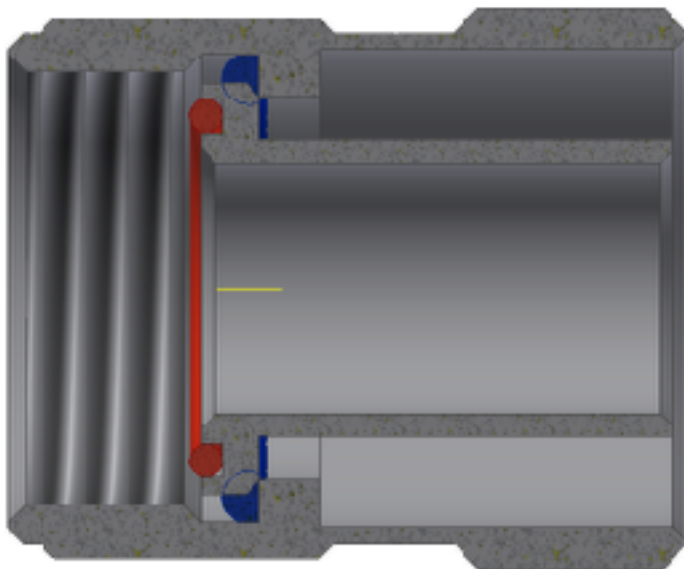
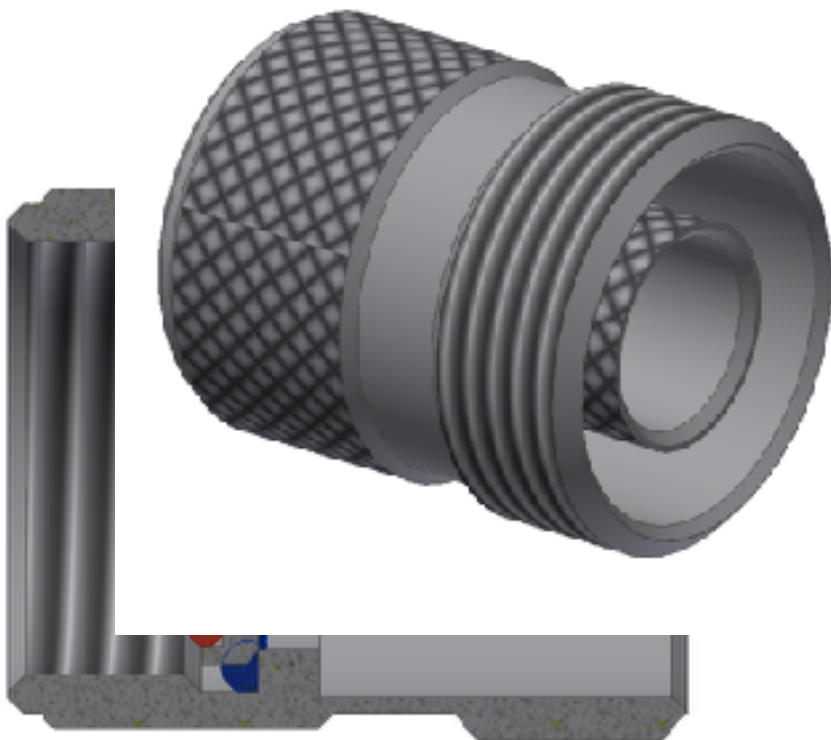
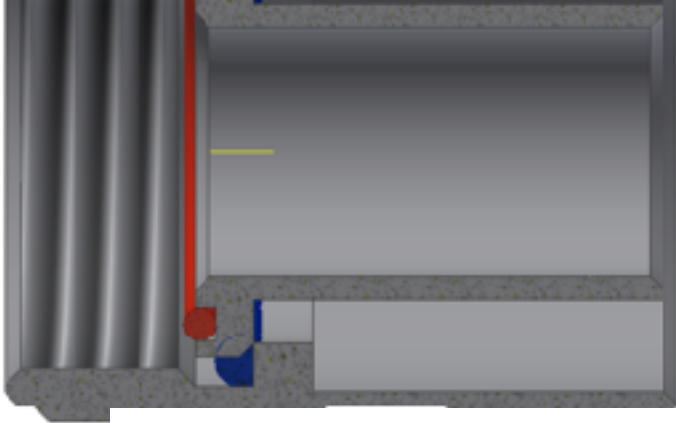
### **Braid Sizes**

- Ø20.0mm - (ABBMBS020010)
- Ø25.0mm - (ABBMBS025015)
- Ø35.0mm - (ABBMBS035015)
- Ø50.0mm - (ABBMBS050015)

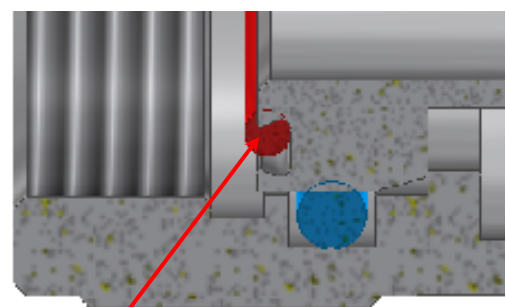
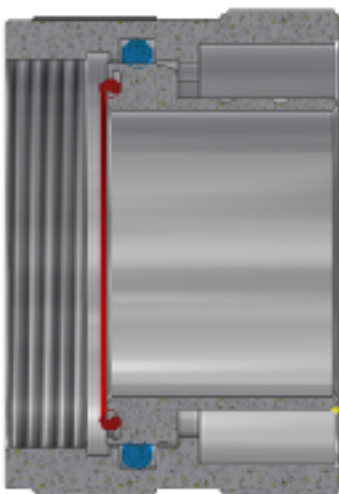
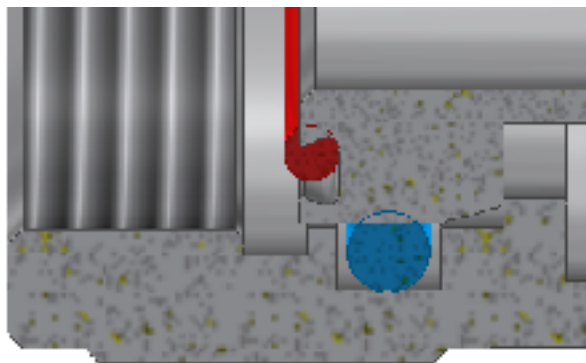
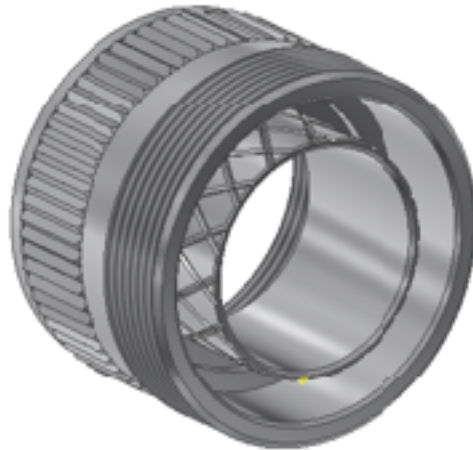
### **Band-It-Ties**

- 3mm (Width) - (ABB600057)
- 4mm (Width) - (ABB608109)
- 6.1mm (Width) - (ABB600052)

AB Spec 647  
TSR-00009  
AB-F07-03-19



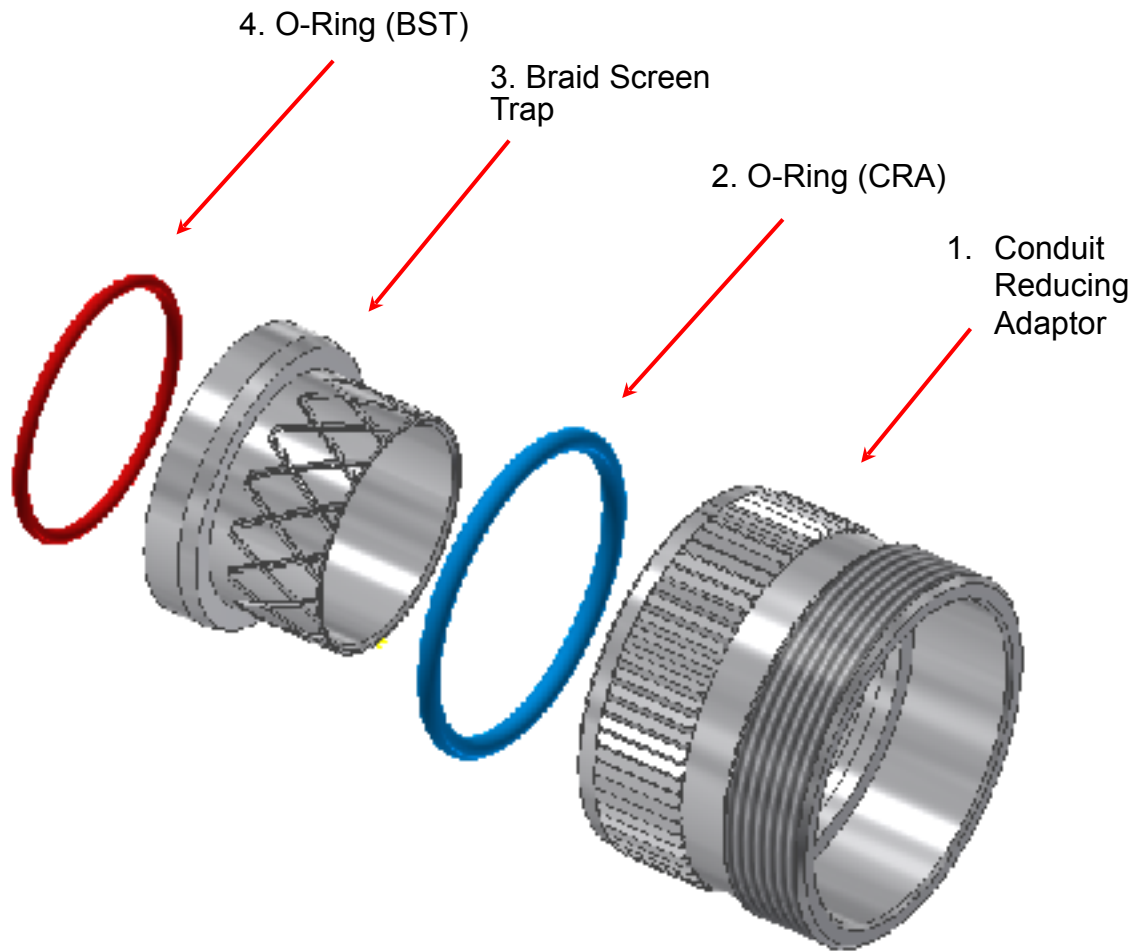
**4. New Design for CRA / BST**



O-Ring (BST)

Note: When assembling O-Ring for BST it needs to be stretched to fit into Dovetail Groove

**5.CRA / BST – Assemble of components**

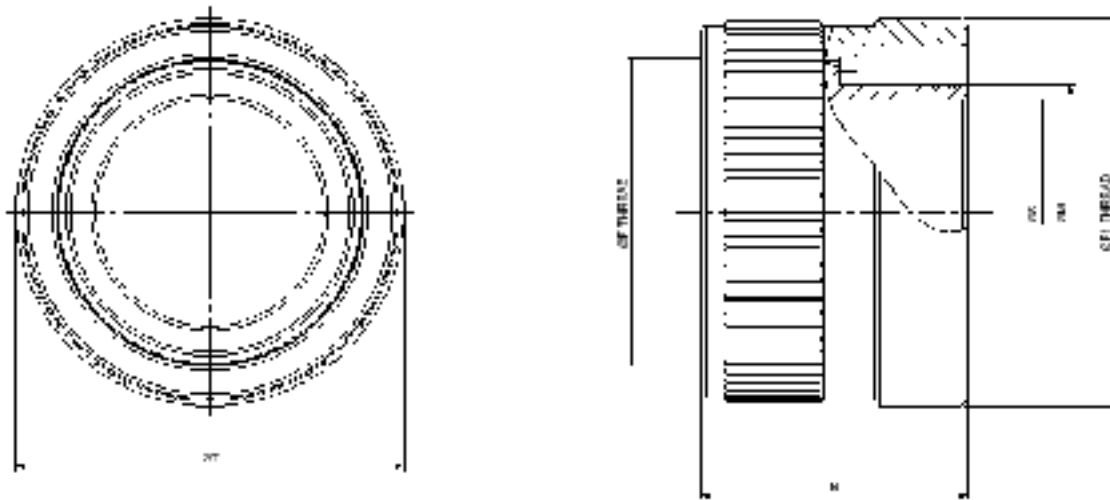


The CRA/BST Assembly supplied will consist of the following items:

1. Conduit Reducing Adapter (CRA)
2. O-Ring (CRA)
3. Braid Screen Trap (BST)

4. O-Ring (BST)

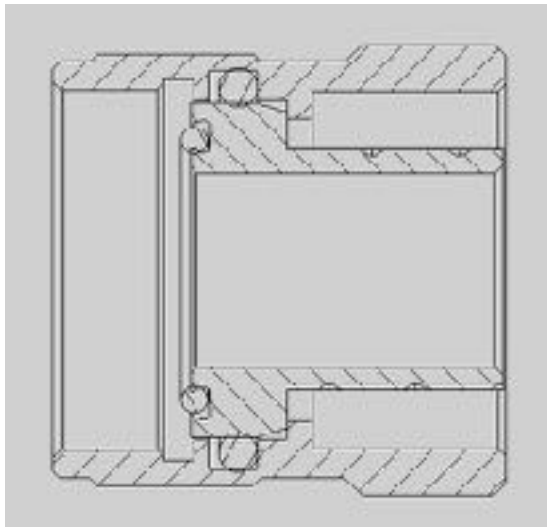
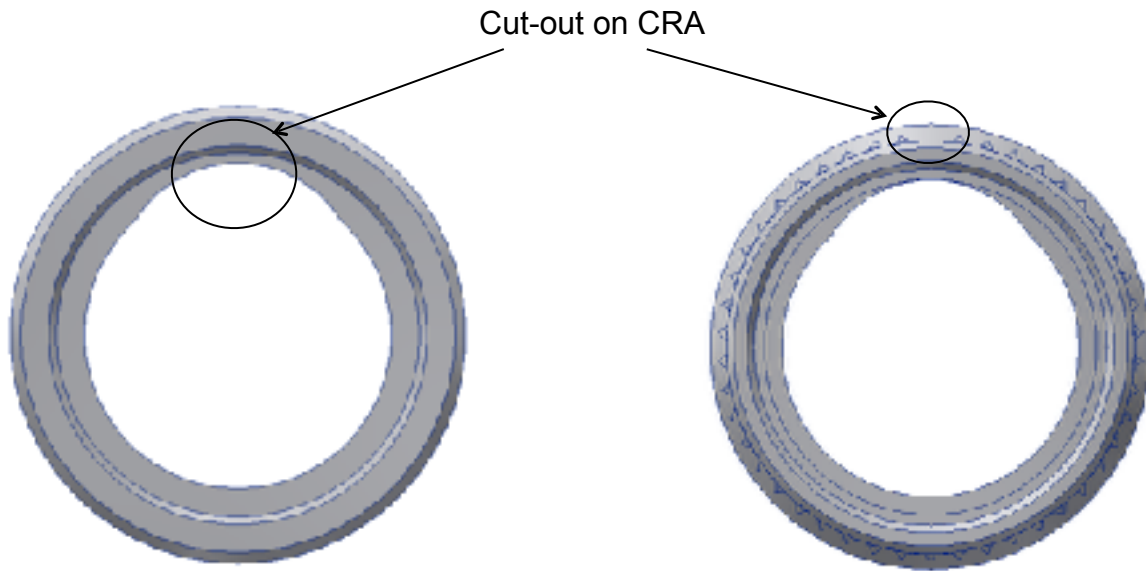
6. Dimensional details for CRA / BST (all Sizes)



TABLE

Part No.	Size (Dia)	F	T <sub>1</sub>	F <sub>1</sub>	T <sub>2</sub>	GMR	T <sub>1</sub> Max	M <sub>1</sub> Max
AB-100-CRA-00	10	1.0100	1.0100	1.0100	1.0100	20.0	1.00	1.00
AB-140-CRA-00	14	1.0100	1.0100	1.0100	1.0100	27.0	1.00	1.00
AB-180-CRA-00	18	1.0100	1.0100	1.0100	1.0100	34.0	1.00	1.00
AB-220-CRA-00	22	1.0100	1.0100	1.0100	1.0100	41.0	1.00	1.00
AB-260-CRA-00	26	1.0100	1.0100	1.0100	1.0100	48.0	1.00	1.00
AB-300-CRA-00	30	1.0100	1.0100	1.0100	1.0100	55.0	1.00	1.00
AB-350-CRA-00	35	1.0100	1.0100	1.0100	1.0100	62.0	1.00	1.00
AB-400-CRA-00	40	1.0100	1.0100	1.0100	1.0100	69.0	1.00	1.00

### 7. CRA's Modification (Sizes 18, 20-22 & 24-28)



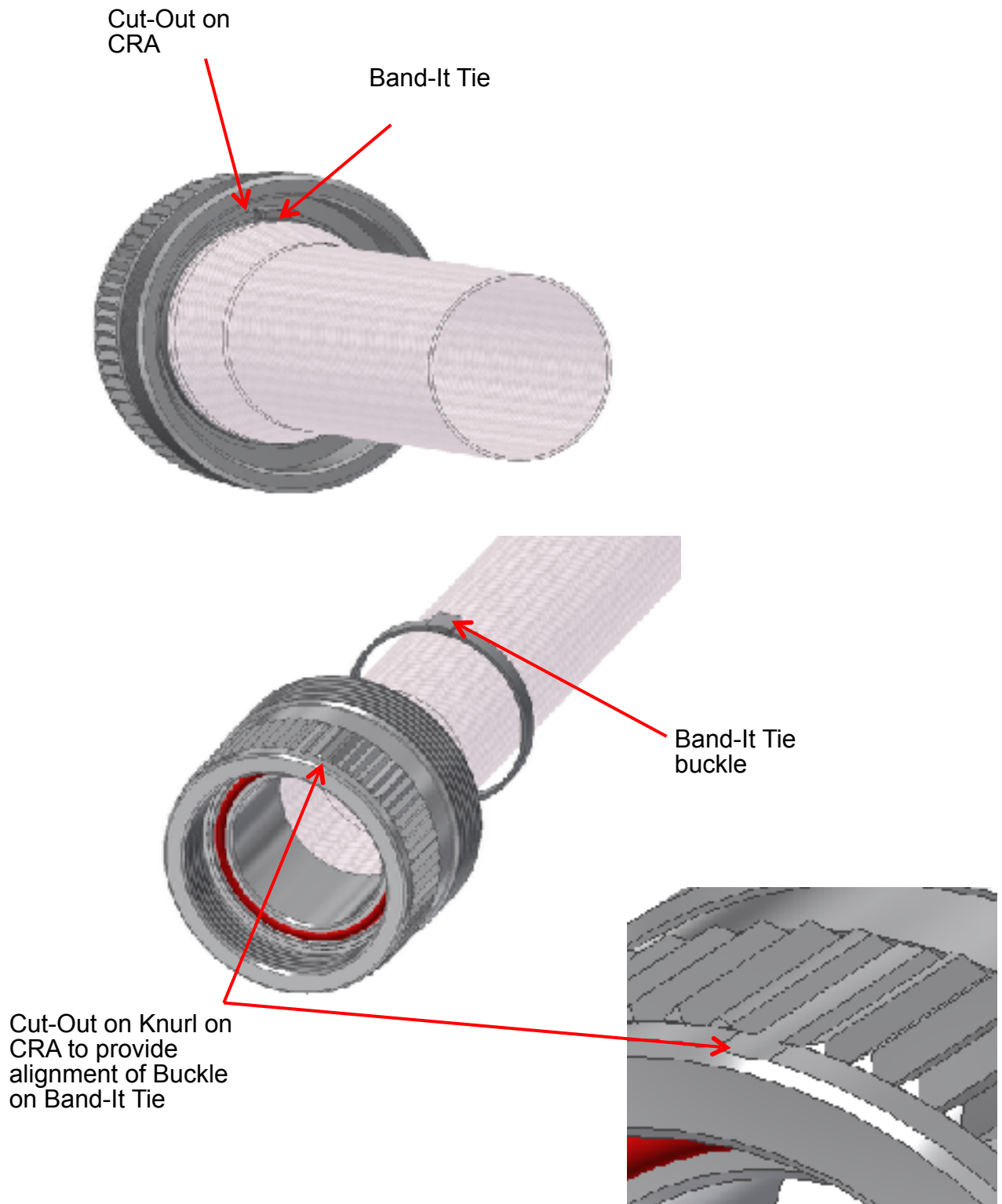
PARTS LIST									
PART NO	CRA Pkg	QTY	Std Assy	QTY	Q-Msg (CR3)	QTY	Q-Msg (Std)	QTY	Band-8 To
163L	121B-163L-CRA-##	1	121B-105L-BST-##	1	M0400160	1	M0400157	1	ABB000057
140	121B-140-CRA-##	1	121B-140-BST-##	1	M0400164	1	M0400155	1	ABB000057
18/163	121B-16/163-CRA-##	1	121B-16/163-BST-##	1	M0400160	1	M0400157	1	ABB000057
18	121B-18-CRA-##	1	121B-15-BST-##	1	M0400156	1	M0400158	1	ABB000057/ABB000058
20-22	121B-20/22-CRA-##	1	121B-20/22-BST-##	1	M0400156	1	M0400157	1	ABB000058
24-28	121B-24/25-CRA-##	1	121B-24-28-BST-##	1	M0400151	1	M0400150	1	ABB000058
32	121B-32-CRA-##	1	121B-32-BST-##	1	M0400152	1	M0400153	1	ABB000058
36	121B-36-CRA-##	1	121B-36-BST-##	1	M0400154	1	M0400155	1	ABB000058
40	121B-40-CRA-##	1	121B-40-BST-##	1	M0400146	1	M0400145	1	ABB000058

Note:

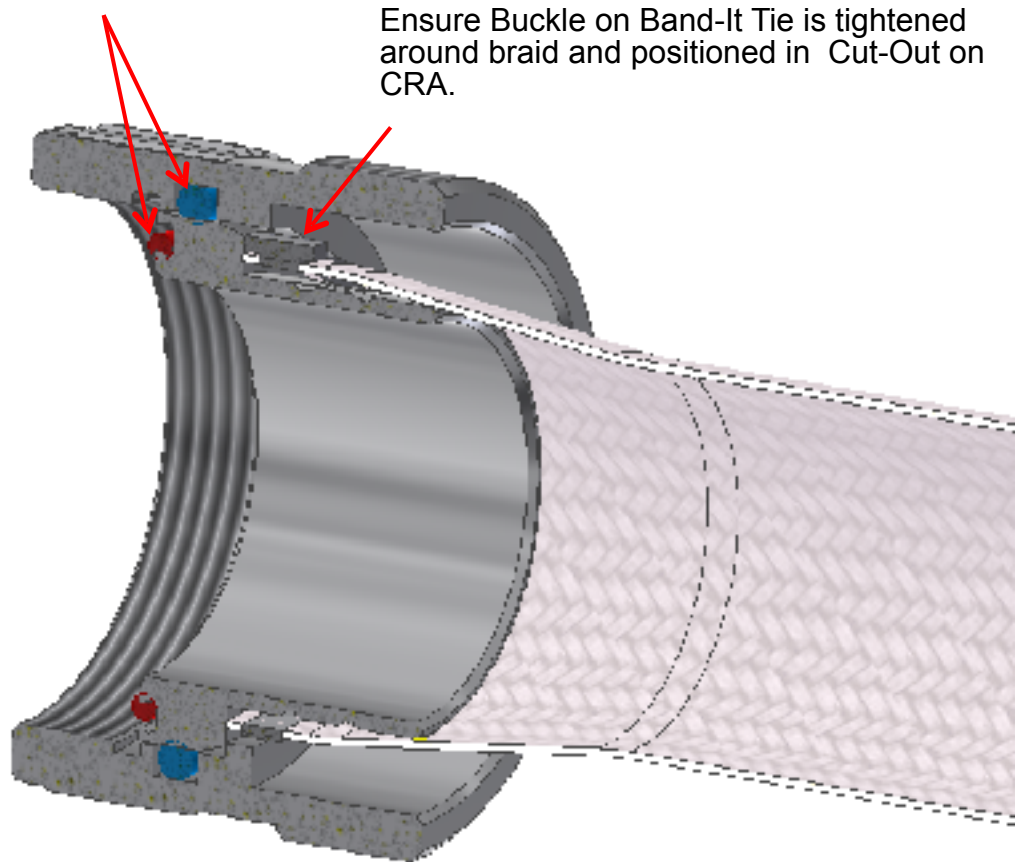


Assembly of BST to CRA cannot be fully assembled due to O-Ring compression, parts will be fully assembled upon tightening to mating connector assembly.

**8. Fitting of Band-It-Tie to CRA / BST Assy**



Position of "O" Rings



- Table below shows which Braid / Band-It Strap to be used with specific Shell Size

Shell Size	BST Outside Diameter	RFI Braid Stock				Band-It Strap			Band-It Tie Tool No	Assembly OK?
		Part No	Diameter	Length	Max Shell Size	Width	Part No	Length		
18	Ø16.16	ABBMBS020010	Ø20.0	100mm	22	3mm	ABB600057	207mm	ABB600061	OK
		ABBMBS025015	Ø25.0	150mm	22	4mm	ABB608109	362mm	ABB600058	OK
		ABBMBS035015	Ø35.0	150mm	32	6.1mm	ABB600052	520mm	ABB600058	OK
20-22	Ø21.40	ABBMBS020010	Ø20.0	100mm	22	3mm	ABB600057	207mm	ABB600061	OK
		ABBMBS025015	Ø25.0	150mm	22	4mm	ABB608109	362mm	ABB600058	OK
		ABBMBS035015	Ø35.0	150mm	32	6.1mm	ABB600052	520mm	ABB600058	OK
24-28	Ø28.20	ABBMBS035015	Ø35.0	150mm	32	6.1mm	ABB600052	520mm	ABB600058	OK

- All other Braid Sizes (Outside Ø20 – 35mm) are not applicable to above Shell Sizes.