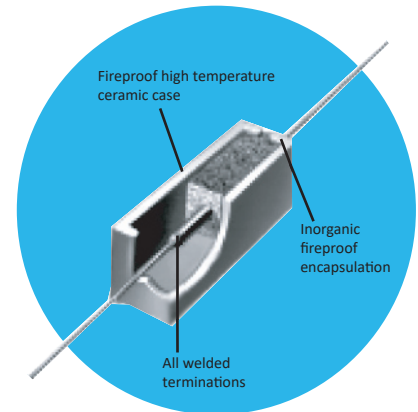


Extremely Low Resistance Power Wirewounds

LPW Series

- 3 watts to 15 watts
- 0.005 ohm to 0.15 ohm
- $\pm 1\%$, $\pm 2\%$, $\pm 3\%$, $\pm 5\%$, $\pm 10\%$ tolerance
- TC's from 30ppm/ $^{\circ}\text{C}$ to +500ppm/ $^{\circ}\text{C}$ (range dependant)

OBSOLETE



NOT RECOMMENDED FOR NEW DESIGNS

All Pb-free parts comply with EU Directive 2011/65/EU amended by (EU) 2015/863 (RoHS3)

Electrical Data

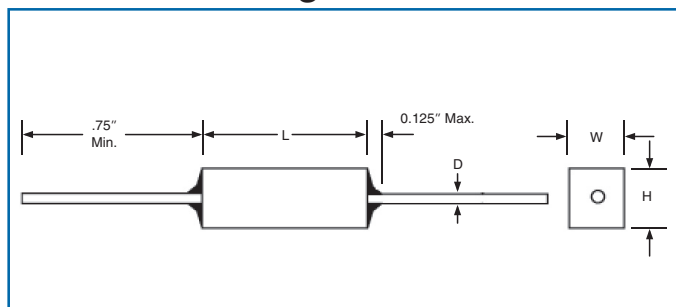
IRC Type	Power @ 25°C (watts)	Resistance Range (ohms)
LPW-3	3	.005 TO .15
LPW-5	5	.005 TO .15
LPW-7	7	.01 TO .15
LPW-10	10	.01 TO .15
LPW-15	15	.01 TO .15

-Inductance less than 10 nanohenries

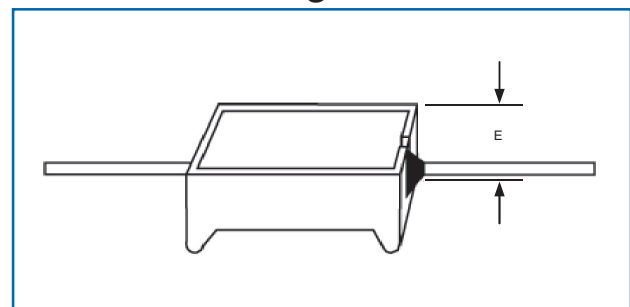
NOTE: Standard test points for LPW-3 and LPW-5 are 1.75 in. (44.45mm); test points for LPW-7, LPW-10, LPW-15 are 2.500 in. (63.50mm). Consult factory for application.

Please note: When ordering the alternate configuration please add an "A" after the part number. (LPW-3A)

Standard Configuration



Alternate Configuration



Dimensions (Inches (mm))

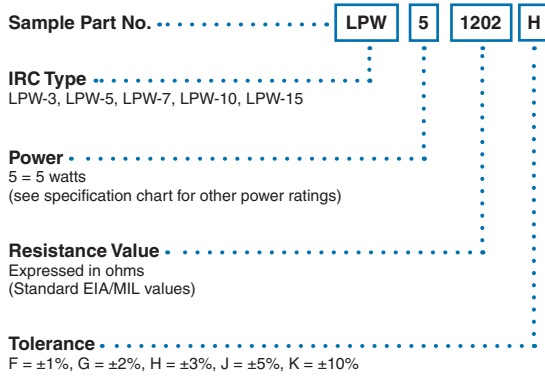
IRC Type	L ± 0.063 (1.6)	W ± 0.03 (.8)	H ± 0.03 (.8)	D - Diameter ± 0.002 (.05)	E ± 0.03 (.8)
LPW-3	.88 (22.4)	.31 (7.87)	.31 (7.87)	.040	.38 (9.65)
LPW-5	.88 (22.4)	.38 (9.65)	.35 (8.89)	.040	.41 (10.4)
LPW-7	1.39 (35.3)	.38 (9.65)	.35 (8.89)	.040	.47 (11.9)
LPW-10	1.88 (47.8)	.38 (9.65)	.35 (8.89)	.040	.47 (11.9)
LPW-15	1.88 (47.8)	.50 (12.7)	.50 (12.7)	.040	.63 (16.0)

General Note

TT Electronics reserves the right to make changes in product specification without notice or liability. All information is subject to TT Electronics' own data and is considered accurate at time of going to print.

OBSOLETE

Ordering Data



General Note

TT Electronics reserves the right to make changes in product specification without notice or liability.
All information is subject to TT Electronics' own data and is considered accurate at time of going to print.