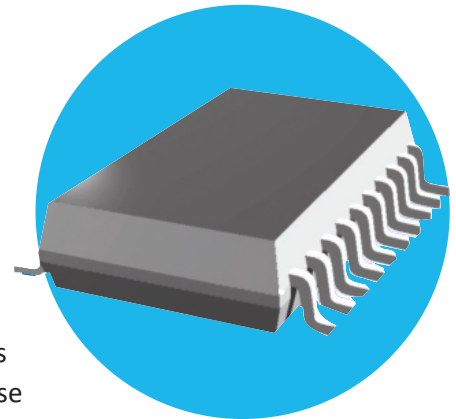


18 Channel Schottky Diode Termination Network

QDN003 Series

- RoHS compliant and Sn/Pb terminations available
- Reduces overshoot and undershoot for all data line types
- 15KV HBM ESD protection, 8KV ESD contact discharge protection
- Effective termination for both controlled/uncontrolled line terminations
- 36 Schottky diodes integrated in a QSOP package for fast turn-on/reverse recovery characteristics

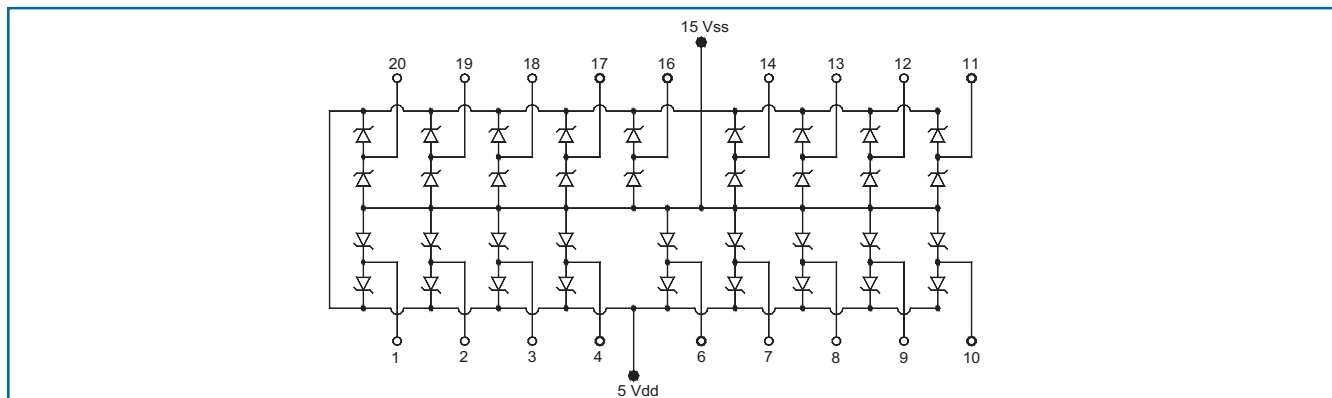


All Pb-free parts comply with EU Directive 2011/65/EU (RoHS2)

Electrical Data

Parameter	Min Value	Max Value
Operating Voltage ($V_{DD} - V_{SS}$)	-0.3V	7.0V
Diode Forward Voltage		
Forward current = 1mA	N/A	0.55V
Forward current = 12mA	N/A	1.0V
Channel Input Capacitance (@1MHz) (5.5pF typical)	N/A	12pF
Channel Leakage Current ($T = 25^{\circ}\text{C}$) ($0 \leq V_{IN} \leq V_{DD}$)	N/A	0.1 μA
Channel Clamp Current	N/A	$\pm 50\text{mA}$
Package Power Rating	N/A	1.0W
Operating Temperature Range	0 $^{\circ}\text{C}$	+70 $^{\circ}\text{C}$
Storage Temperature Range	-65 $^{\circ}\text{C}$	+150 $^{\circ}\text{C}$

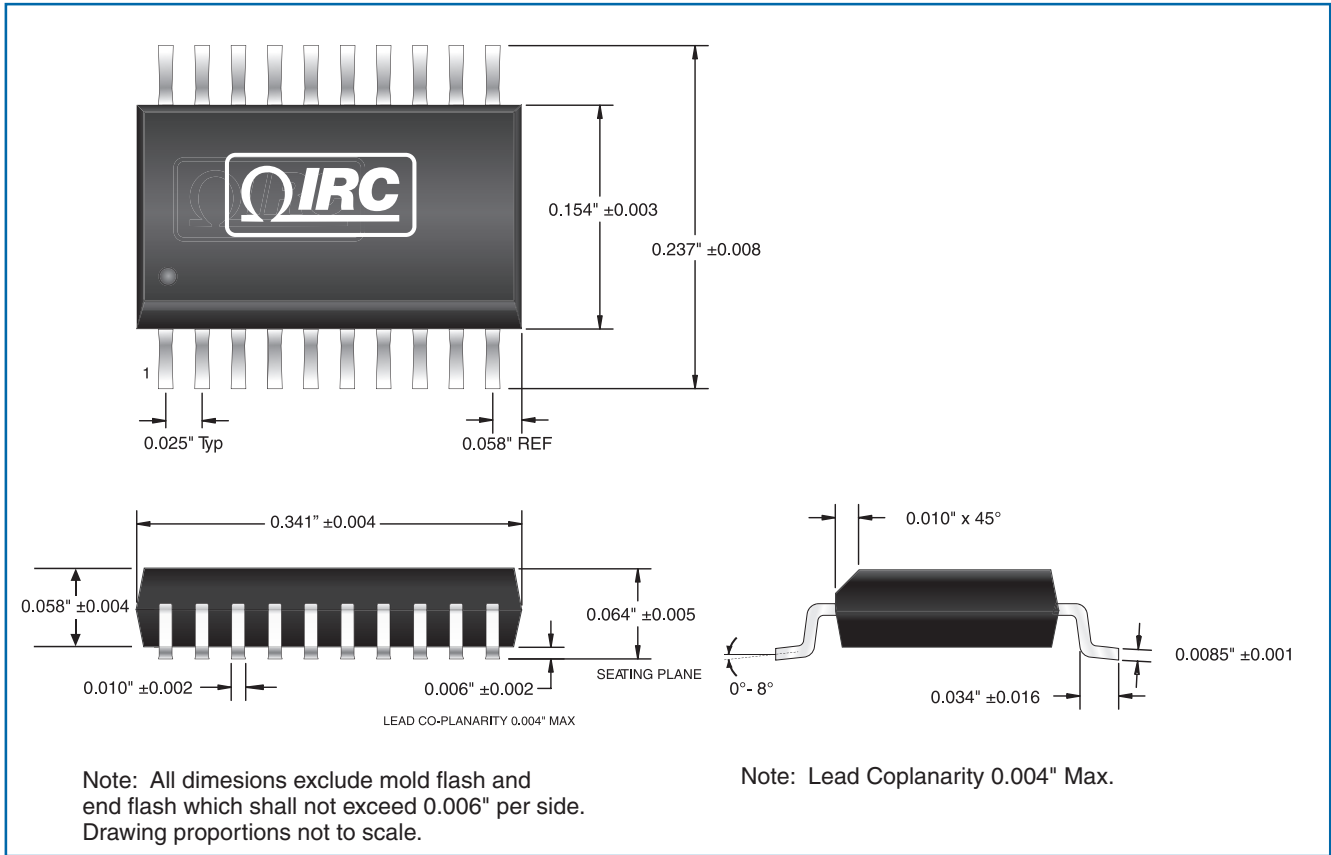
Schematic Data



General Note

TT Electronics reserves the right to make changes in product specification without notice or liability. All information is subject to TT Electronics' own data and is considered accurate at time of going to print.

Physical Data



Ordering Data

Prefix **DNR** - **QDN003LF**

Model
 QDN003LF = 20-pin, high speed, 18-line termination network with 100% matte tin, Pb-free terminations
 QDN003 = 20-pin, high speed, 18-line termination network with Sn/Pb terminations

Packaging
 Specify tubes or tape & reel.

For additional information or to discuss your specific requirements, please contact our Applications Team using the contact details below.

General Note

TT Electronics reserves the right to make changes in product specification without notice or liability. All information is subject to TT Electronics' own data and is considered accurate at time of going to print.