

## Surface Mount Chip Resistor/ Capacitor

# OBSOLETE

### RC Network Series

- Thick film on ceramic construction
- Integrated resistor and capacitor
- Compact 1206 footprint
- Nickel barrier terminations
- High speed AC line termination
- EMI/RFI filtering



All parts are Pb-free and comply with EU Directive 2011/65/EU amended by (EU) 2015/863 (RoHS3)

## Electrical

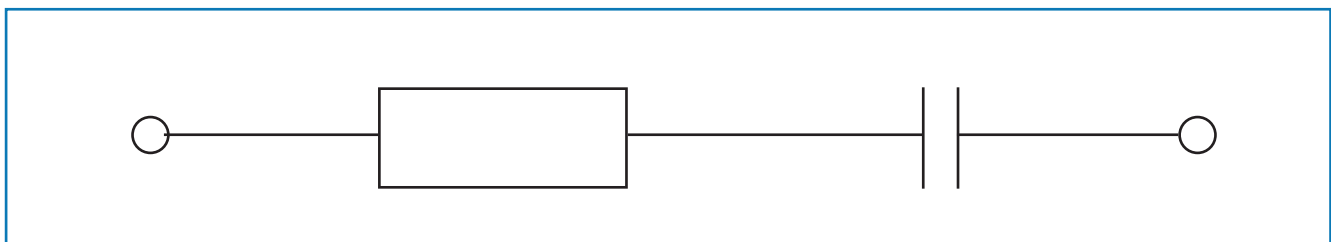
			RC4
Resistor	Power rating (70°C)	mW	63
	Value range	ohms	20R – 1M0
	Tolerance	%	5, 10, 20
	TCR	ppm/°C	±200
Capacitor	Value maximum	pF	200
	Tolerance (1MHz, 25°C)	%	20
	Characteristic		X7R
	Maximum ΔC (-55 to +125°C)	%	±15
	Voltage rating	Vdc	25
	Dielectric withstand voltage (5s)	Vdc	125
	Insulation resistance	ohms	≥10G
Package	Dissipation factor	%	2.5
	Ambient temperature range	°C	-40 to +125

Specifications subject to change without notice.

## Environmental

Solderability	MIL-STD-202, Method 208, Cond. B, 95% Coverage
Life	1,000 hours at 70°C (±3%+0.2 Ohms ΔR, ±10% ΔC)
Thermal Shock	MIL-STD-202F, Method 107, Cond. A (±3%+0.2 Ohms ΔR, ±10% ΔC)
Moisture Resistance	MIL-STD-202F, Method 106 (±3%+0.2 Ohms ΔR, ±10% ΔC)

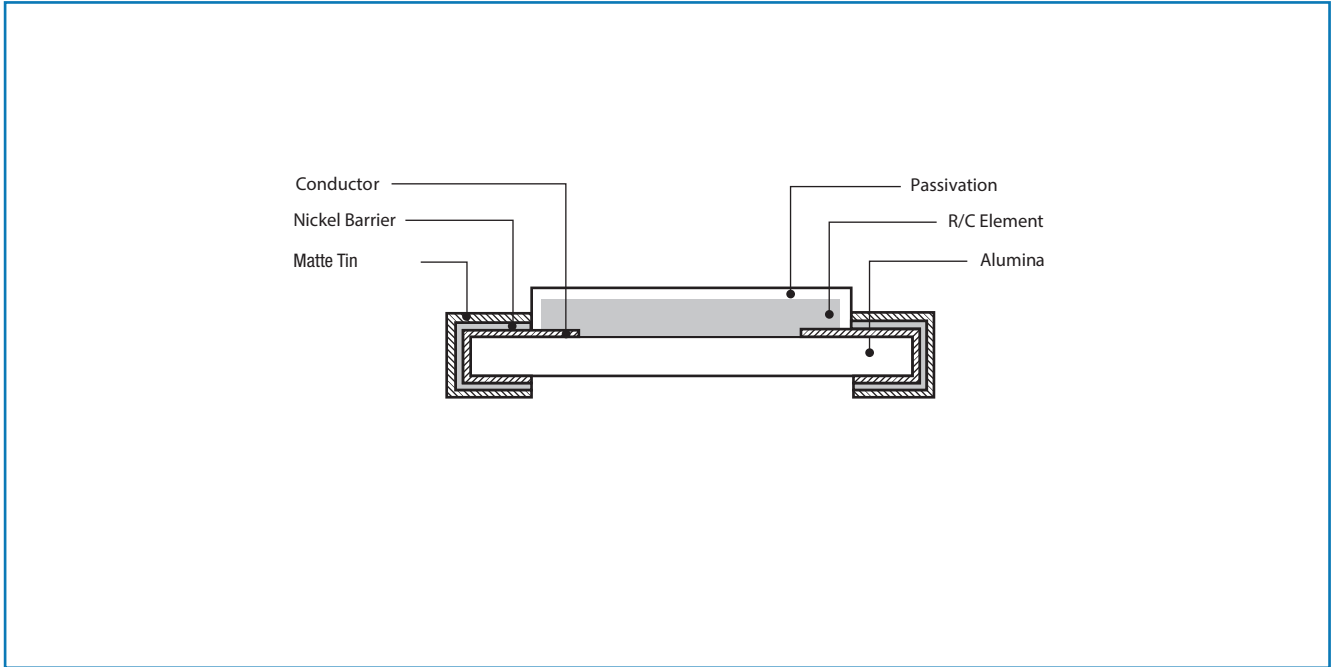
## Schematic



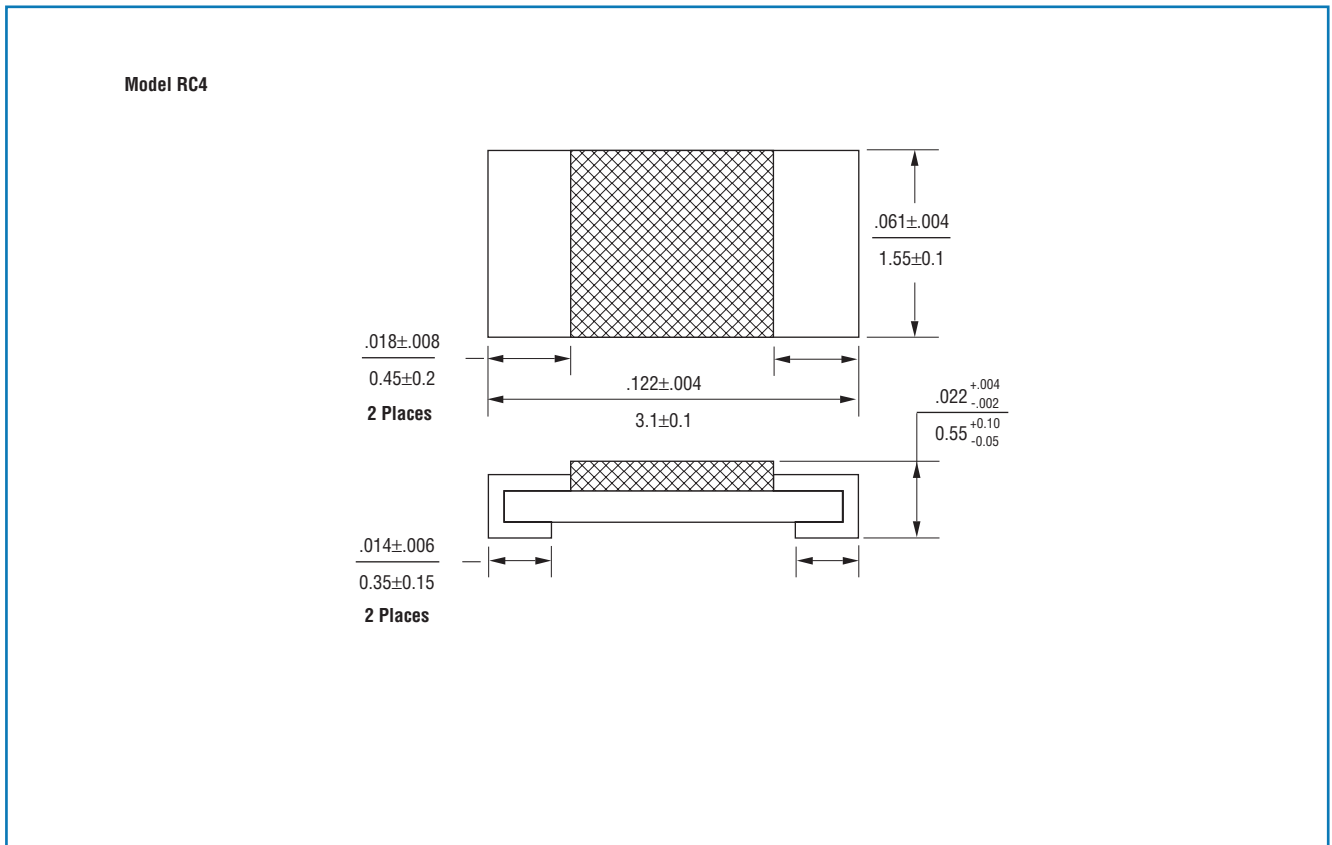
### General Note

TT Electronics reserves the right to make changes in product specification without notice or liability. All information is subject to TT Electronics' own data and is considered accurate at time of going to print.

### Construction



### Outline Dimensions (Inch/mm)

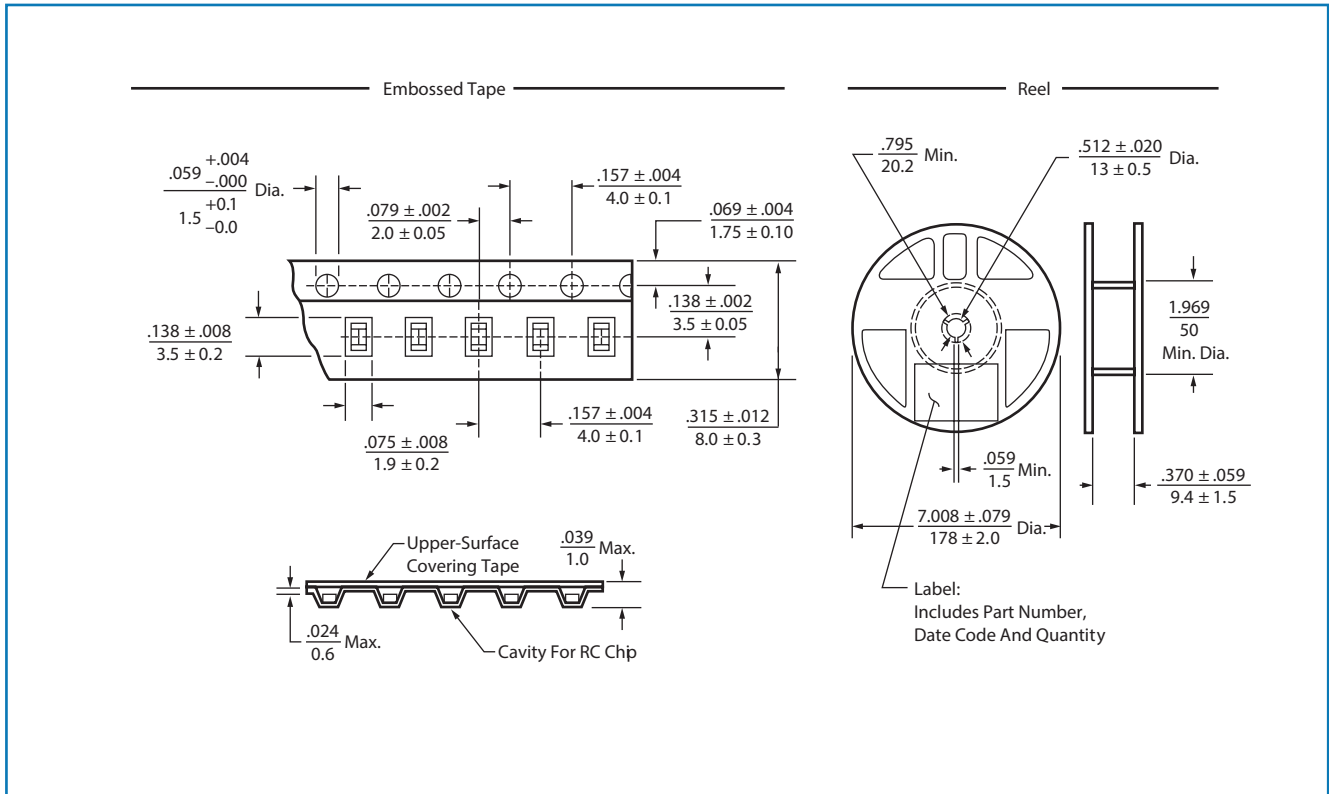


#### General Note

TT Electronics reserves the right to make changes in product specification without notice or liability. All information is subject to TT Electronics' own data and is considered accurate at time of going to print.

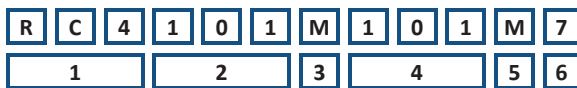
## RC Network Series **OBSOLETE**

### Packaging (Inch / mm)



## Ordering Procedure

**Example:** RC4101M101M7 (1206 RC chip, 100 ohms  $\pm 20\%$ , 100pF  $\pm 20\%$ , on a 7" reel, Pb-free)



1	2	3	4	5	6	
Type	Resistor Value	Resistor Tolerance	Capacitor Value	Capacitor Tolerance	Termination Finish & Packing	
RC4	3 digits (2 value + multiplier) E24	J = $\pm 5\%$ K = $\pm 10\%$ M = $\pm 20\%$	3 digits (2 value + multiplier) in pF	M = $\pm 20\%$	Pb-free (RoHS)	
					7	7" reel 3000/reel, plastic tape

#### General Note

TT Electronics reserves the right to make changes in product specification without notice or liability. All information is subject to TT Electronics' own data and is considered accurate at time of going to print.