

Magnetorque Non-Contacting Steering Torque Sensor

SX-4400



OBSOLETE

Features:

- Ideally suited for demanding electric power steering systems

~~Pb~~ **RoHS 2 compliant**



Electrical

Supply Voltage	4.5 to 5.5 VDC
Linearity	±3%
Hysteresis	±1.3%
Microgradient	±30% of theoretical slope over 0.4° interval
Sensed Angle	±5°
Supply Current	8 to 16 mA
Clamp Low	8 to 12%
Clamp High	88 to 92%
Sensitivity	0.388 to 0.412 V/°

Mechanical

Mechanical Travel, Input Rotor	Continuous
Mechanical Travel, Output Rotor	Continuous
Turning Torque (rotor to rotor)	0 NM (non-contacting)
Turning Torque (input rotor to housing)	0 NM (non-contacting)
Turning Torque (output rotor to housing)	0.05 NM maximum
Weight	101grams maximum

Environmental

Operating Temperature Range	-40°C to +85°C
Vibration	10 to 55 Hz with 1 mm P-P constant displacement, 120 hours each of 3 planes
Input Rotor Rotational Life	Infinite (floating)
Output Rotor Rotational Life	10 million cycles
Storage Temperature Range	-55°C to +125°C

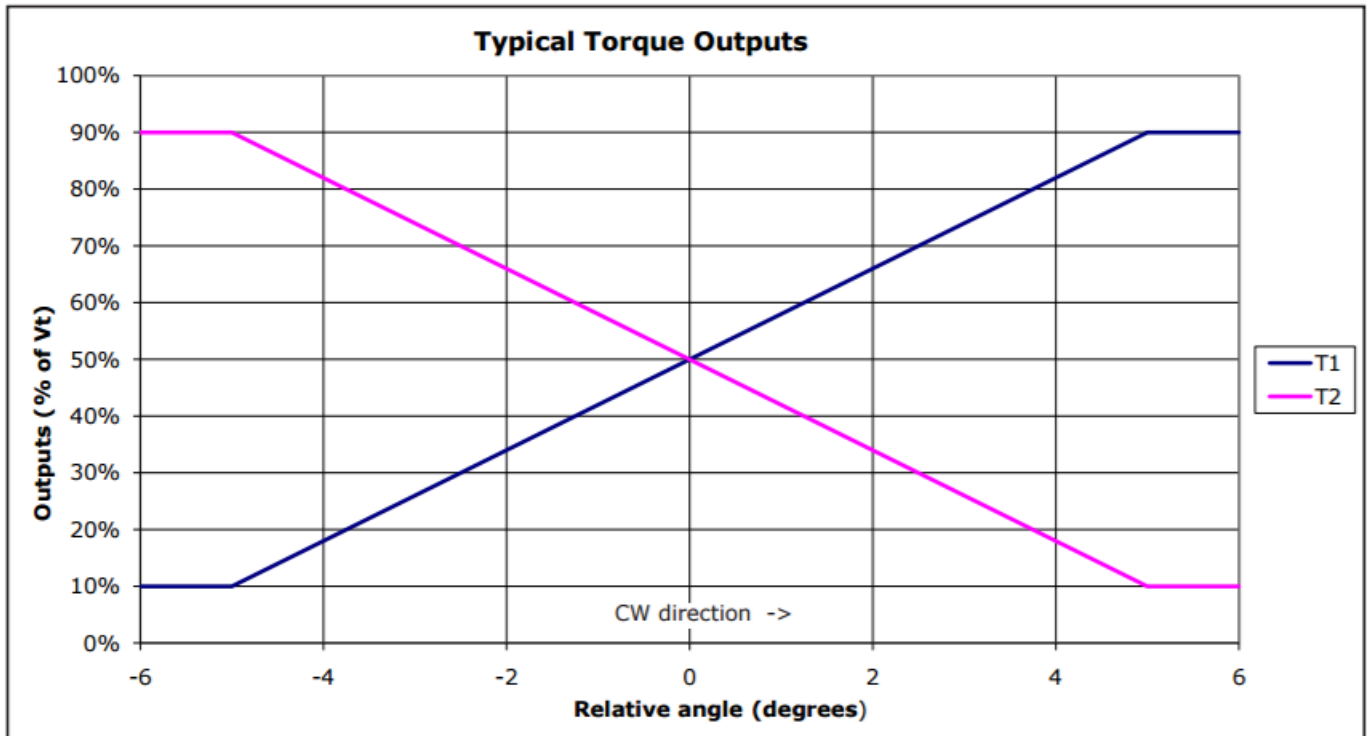
General Note

TT Electronics reserves the right to make changes in product specification without notice or liability. All information is subject to TT Electronics' own data and is considered accurate at time of going to print.

TT Electronics | BI Technologies
413 Rood RD, Suite 7
Calexico, CA 92231

OBSOLETE

Output Charts



General Note

TT Electronics reserves the right to make changes in product specification without notice or liability. All information is subject to TT Electronics' own data and is considered accurate at time of going to print.

© TT electronics plc

TT Electronics | BI Technologies
413 Rood RD, Suite 7
Calexico, CA 92231

Ph: +1 714 447 2300 www.ttelectronics.com
sensors@ttelectronics.com

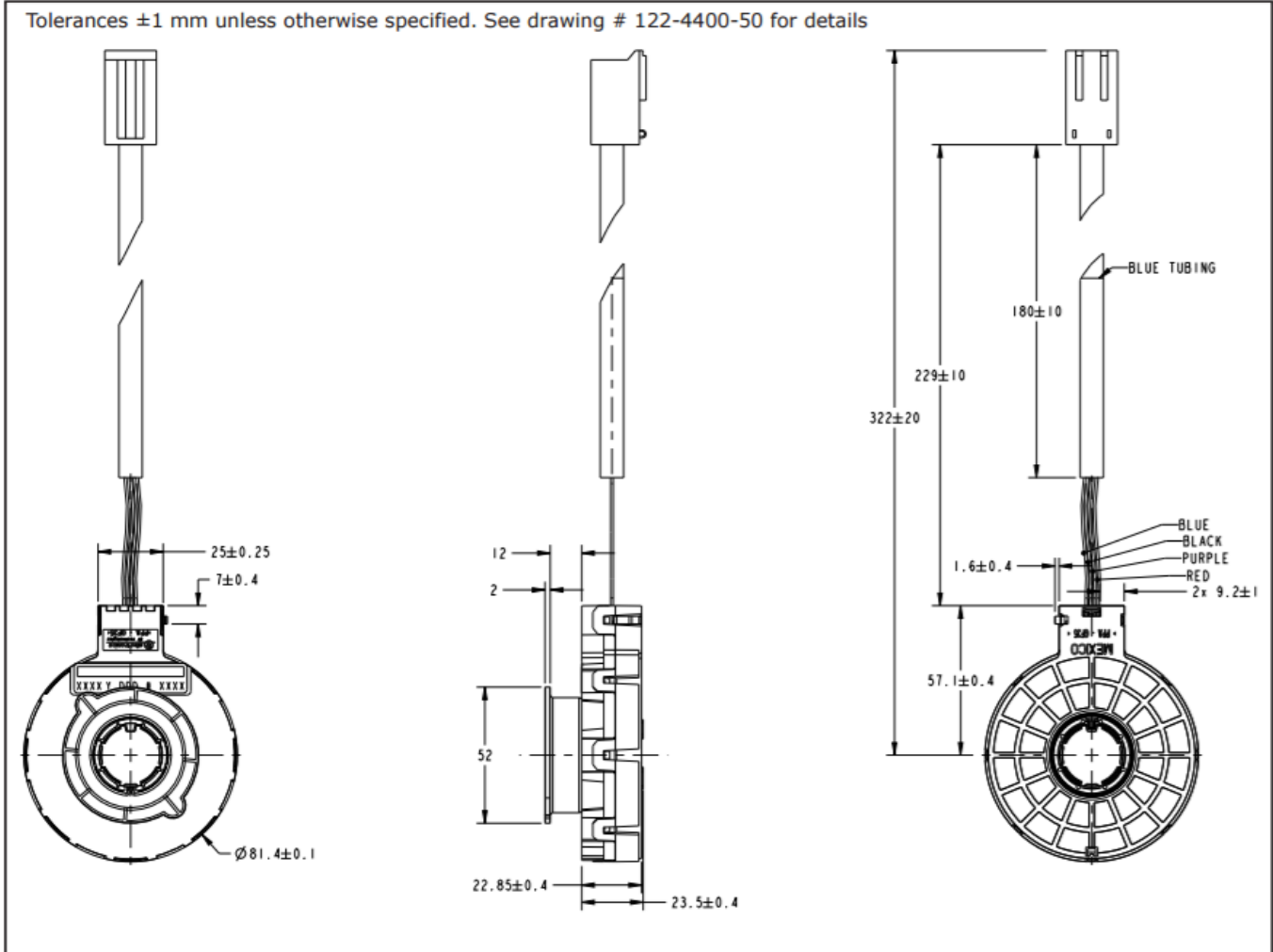
Issue B 09/2016 Page 2

Magnetorque Non-Contacting Steering Torque Sensor

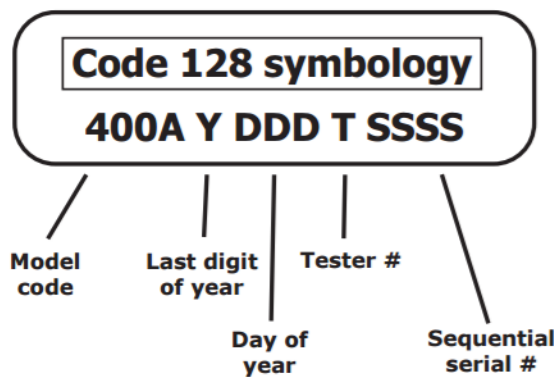


OBSOLETE

Outline Drawing



Barcode Label



General Note

TT Electronics reserves the right to make changes in product specification without notice or liability. All information is subject to TT Electronics' own data and is considered accurate at time of going to print.

© TT electronics plc

TT Electronics | BI Technologies
 413 Rood RD, Suite 7
 Calexico, CA 92231

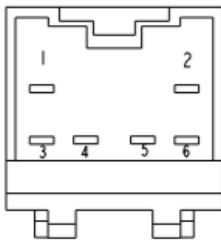
Ph: +1 714 447 2300 www.ttelectronics.com
 sensors@ttelectronics.com
 Issue B 09/2016 Page 3

Magnetorque Non-Contacting Steering Torque Sensor

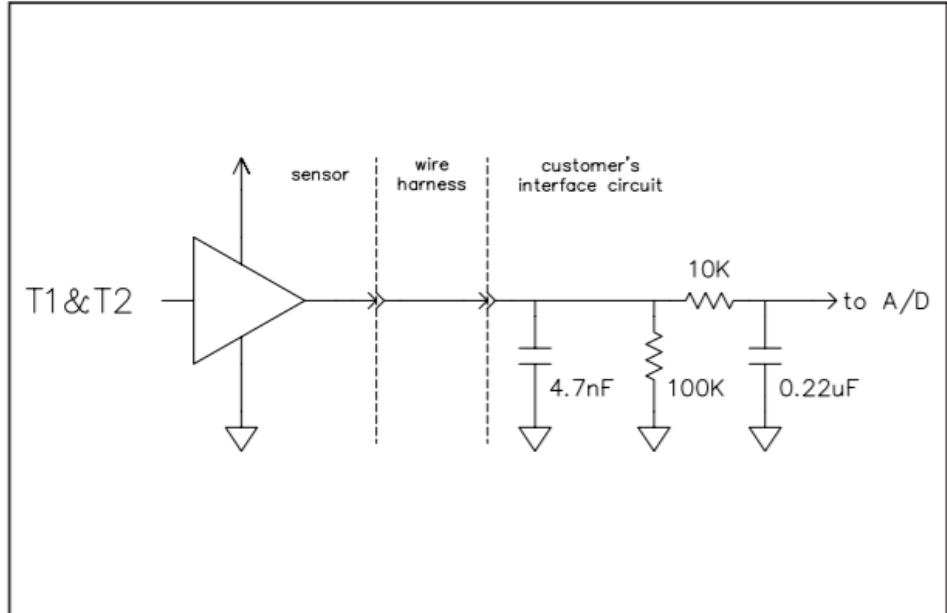
OBSOLETE

Pinouts & Recommended Interface

PIN No.	SIGNAL	WIRE COLOR
1	VCC	RED
2	GND	BLACK
3	N/A	N/A
4	T1	BLUE
5	T2	PURPLE
6	N/A	N/A



YASAKI MATING CONNECTOR #7123-8365
CONNECTOR FRONT VIEW



General Note

TT Electronics reserves the right to make changes in product specification without notice or liability. All information is subject to TT Electronics' own data and is considered accurate at time of going to print.

TT Electronics | BI Technologies
413 Rood RD, Suite 7
Calexico, CA 92231