

LH3 Torque Sensor

SX-4432



Features:

- Ideally suited for demanding electric power steering systems



Electrical

Torque Signal Linearity	±3%
Torque Hysteresis	0.5%
Torque Signal Microgradient	±30% of theoretical slope over 0.4° interval
Torque Signal Sensing Angle	±8°
Total Resistance	833 Ω ±30%

Mechanical

Torque Mechanical Travel	±11.4°
Turning Torque (rotor to rotor)	0.03 NM Max.
Turning Torque (rotor to housing)	0.06 NM Max.
Weight	95 grams maximum

Environmental

Operating Temperature Range	-40°C to +85°C
Shock	14 ms half-sine at 300 m/s ²
Vibration	10 to 55 Hz with 1 mm P-P constant displacement, 120 hours each of 3 planes
Torque Rotational Life	1 million cycles
Storage Temperature Range	-40°C to +105°C

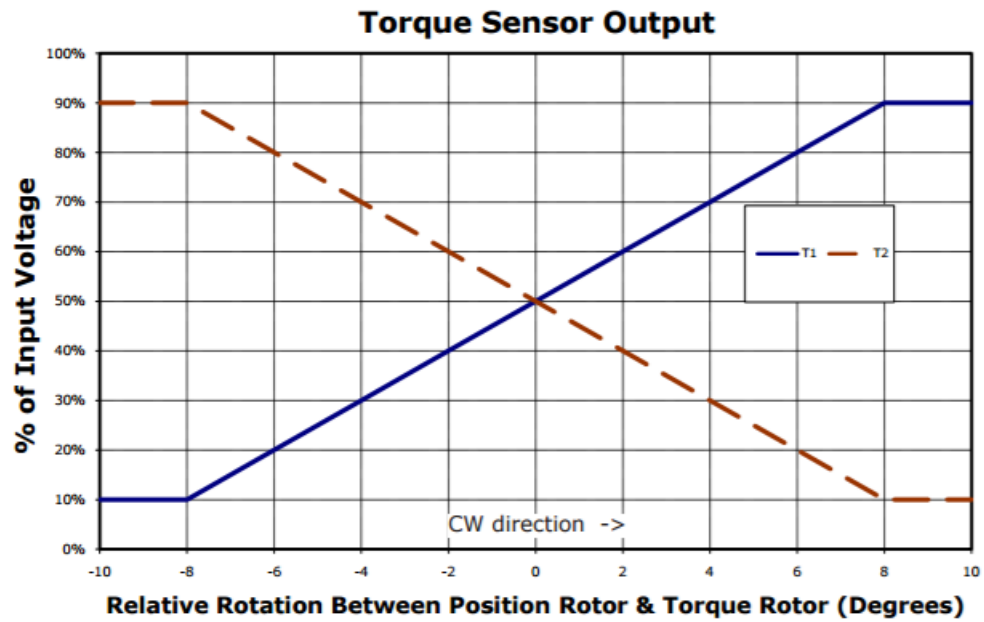


General Note
TT Electronics reserves the right to make changes in product specification without notice or liability. All information is subject to TT Electronics' own data and is considered accurate at time of going to print.

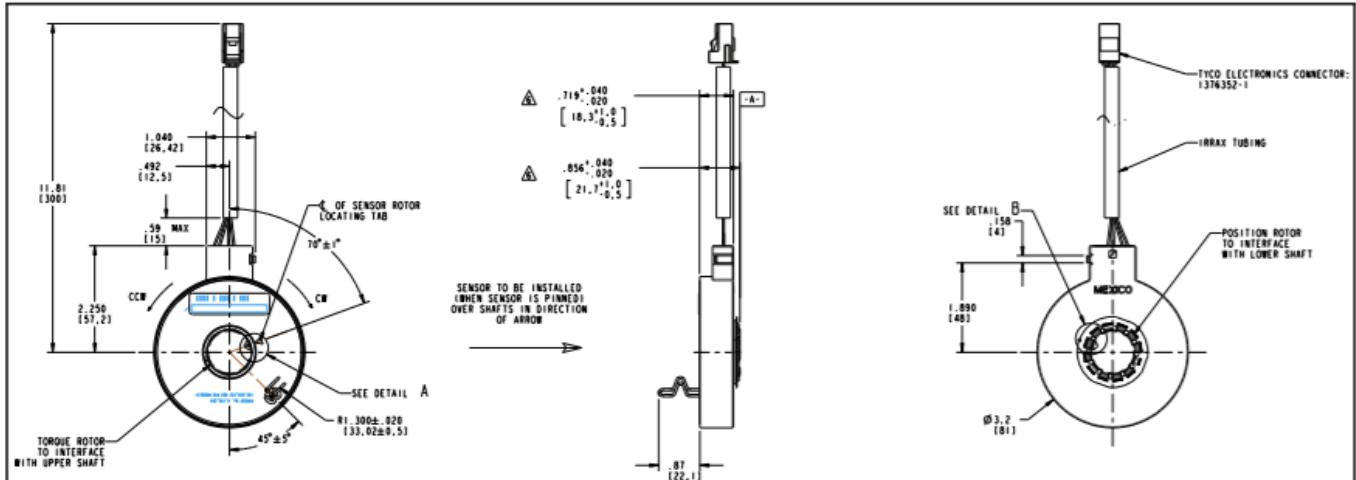
© TT electronics plc

TT Electronics | BI Technologies
413 Rood RD, Suite 7
Calexico, CA 92231
Ph: +1 (714) 447-2345
www.ttelectronics.com/bi-technologies
Issue C 04/2019 Page 1

Output Charts

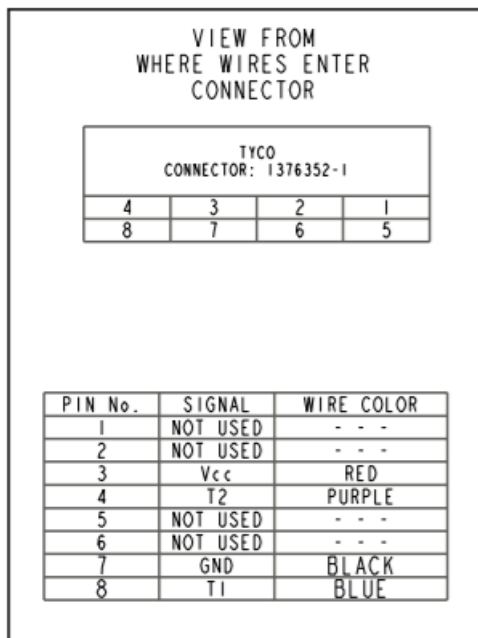


Outline Drawing

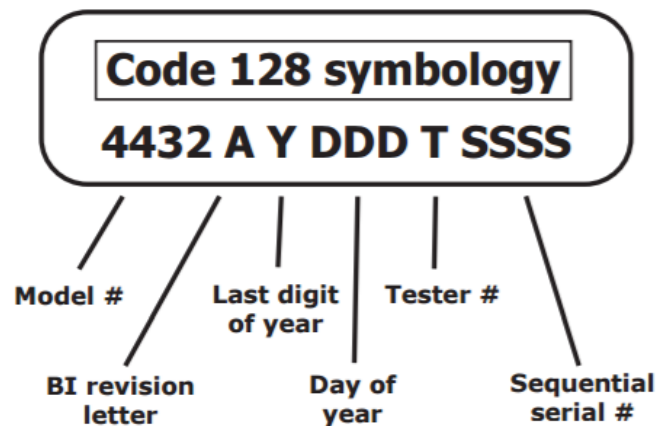


Tolerances ±0.25 mm unless otherwise specified. See drawing # 122-4432-80 for details.

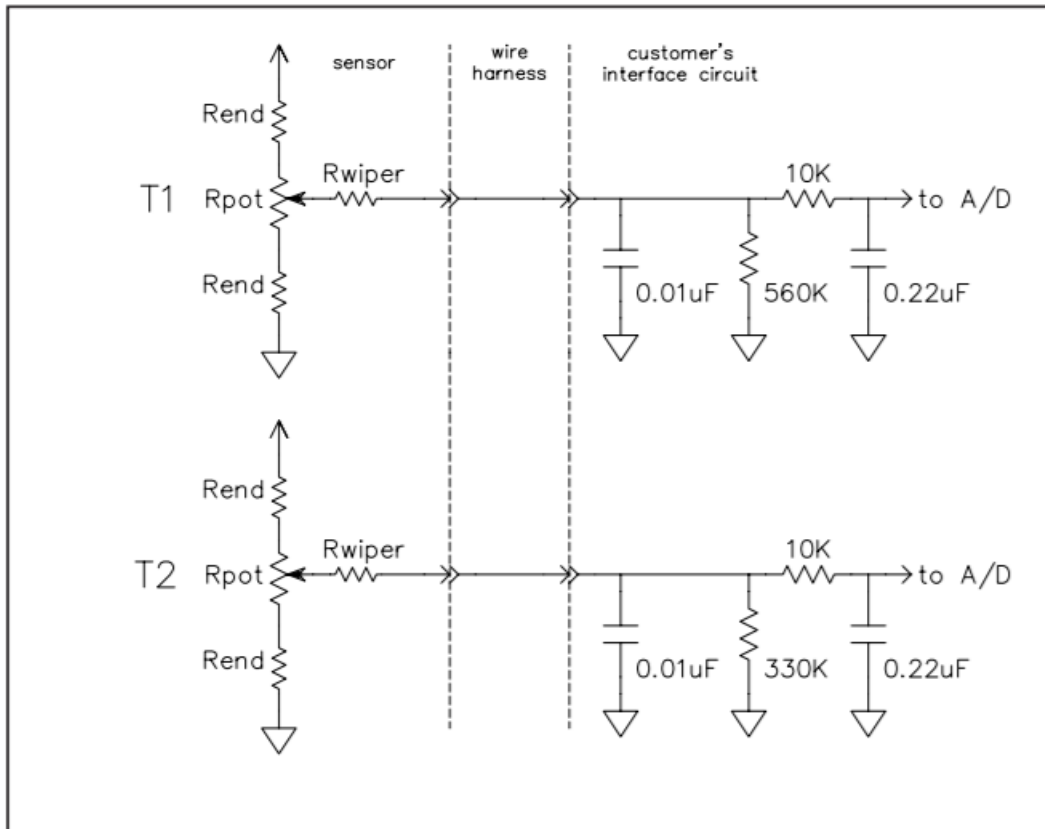
Pinouts



Barcode Label



Recommended Interface



General Note

TT Electronics reserves the right to make changes in product specification without notice or liability. All information is subject to TT Electronics' own data and is considered accurate at time of going to print.

© TT electronics plc

TT Electronics | BI Technologies
413 Rood RD, Suite 7
Calexico, CA 92231

Ph: + 1 (714) 447-2345
www.ttelectronics.com/bi-technologies

Issue C 04/2019 Page 4