

LH3 Torque & Multi-Turn Position Sensor



SX-4474

Features:

- 5° sensor with torque, and multi-turn position output, an flex circuit output
- Ideally suited for demanding electric power steering systems



Electrical

Torque Signal Linearity	±3%
Torque Hysteresis	0.5% maximum
Torque Signal Microgradient	±30% of theoretical slope over 0.4° interval
Torque Sensed Angle	±5°
Position Signal Linearity (P1, P2)	±1.5%
Position Signal Microgradient (P1, P2)	±30% of theoretical slope over 2° interval
Multi-turn Position Accuracy (P3)	±3%
Multi-turn Position Sensed Angle	±720°
Total Resistance	438 Ω ±30%

Mechanical

Torque Mechanical Travel	±11.4°
Position Mechanical Travel	Continuous
Turning Torque (rotor to rotor)	0.03 NM maximum
Turning Torque (position rotor to housing)	0.06 NM maximum
Weight	grams maximum

Environmental

Operating Temperature Range	-40°C to +85°C
Shock	14 ms half-sine at 300 m/s ²
Vibration	10 to 55 Hz with 1 mm P-P constant displacement, 120 hours each of 3 planes
Torque Rotational Life	1 million cycles
Position Rotational Life	1 million cycles
Storage Temperature Range	-40°C to +105°C



General Note
 TT Electronics reserves the right to make changes in product specification without notice or liability. All information is subject to TT Electronics' own data and is considered accurate at time of going to print.

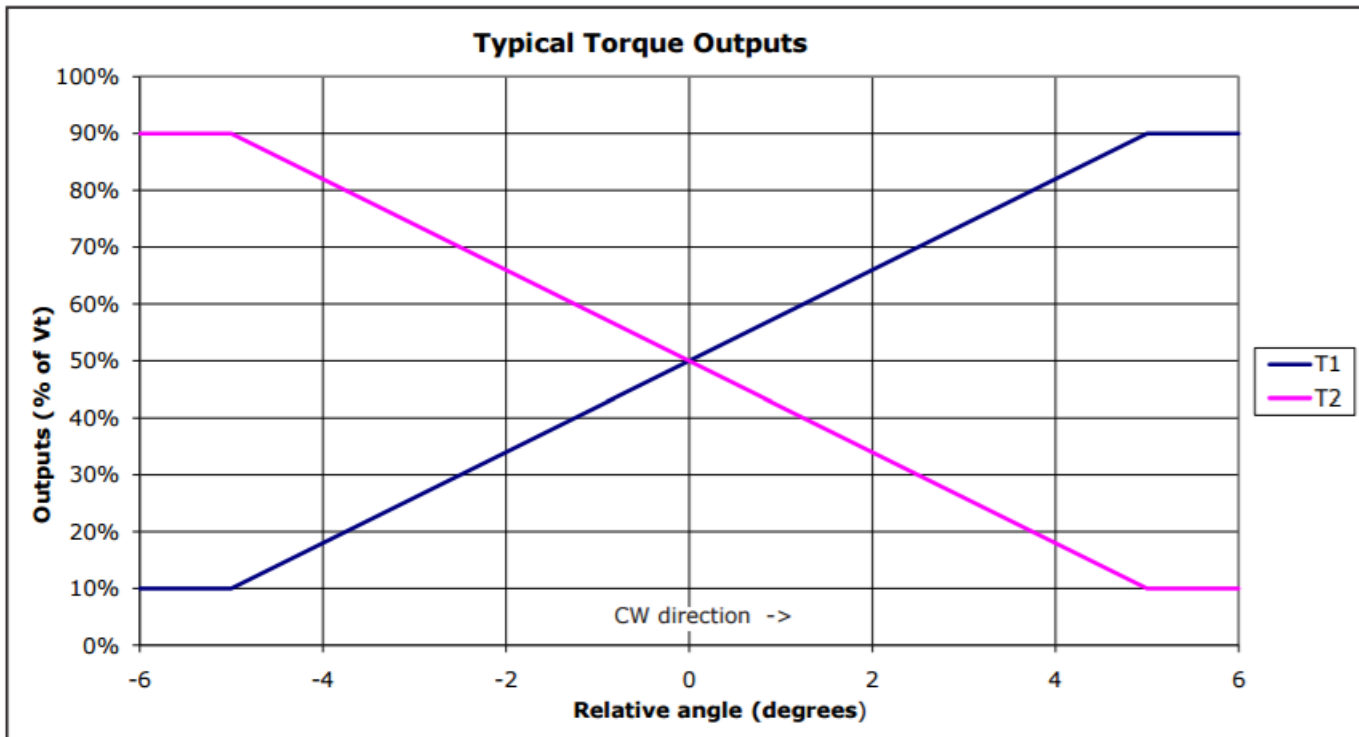
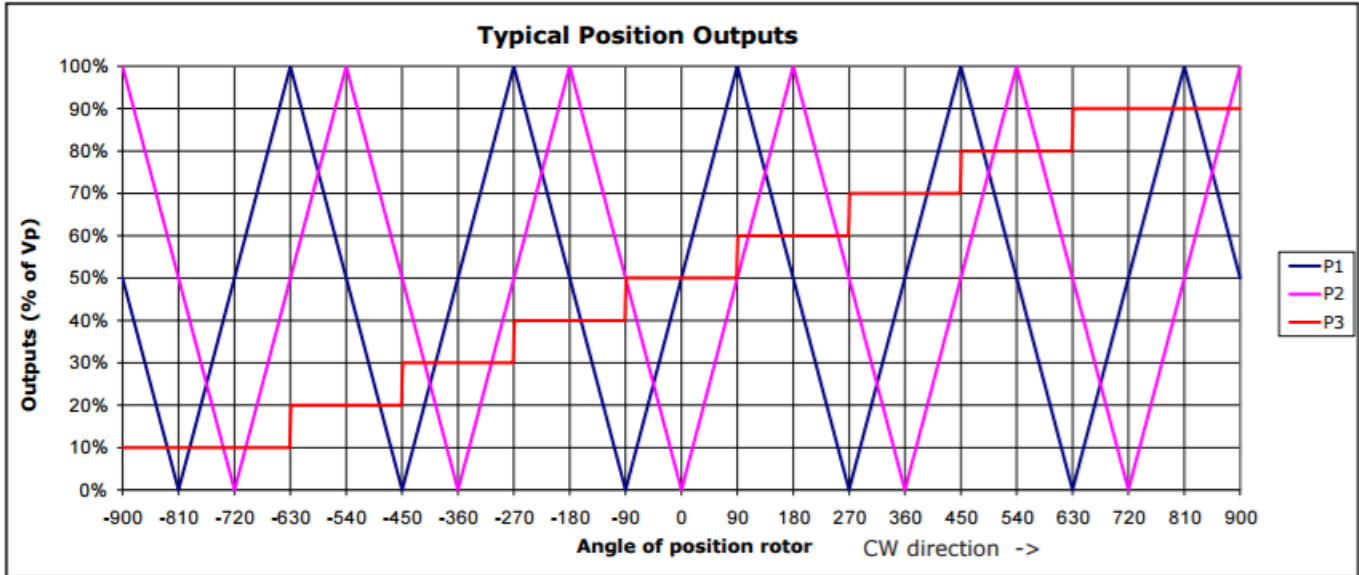
© TT electronics plc

TT Electronics | BI Technologies
 413 Rood RD, Suite 7
 Calexico, CA 92231

Ph: + 1 (714) 447-2345
www.ttelectronics.com/bi-technologies

Issue D 04/2019 Page 1

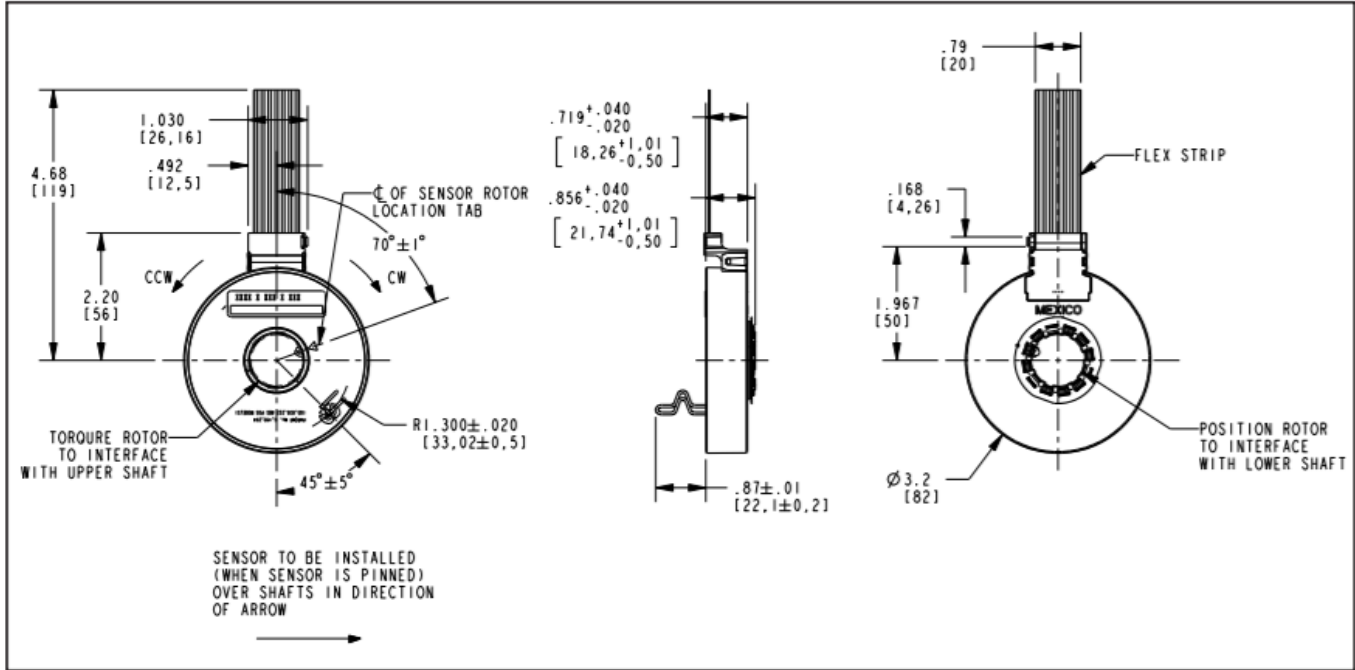
Output Charts



LH3 Torque & Multi-Turn Position Sensor

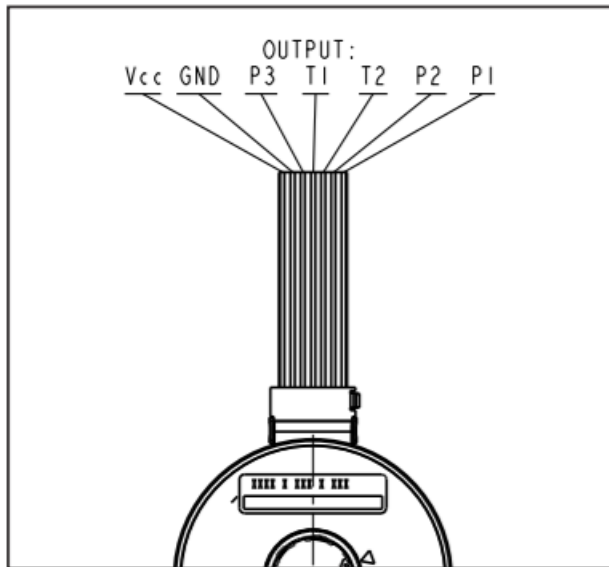


Outline Drawing

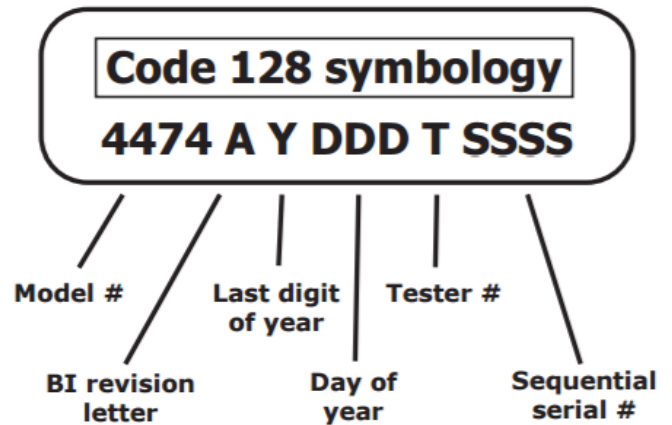


Tolerances ±0.25 mm unless otherwise specified. See drawing # 122-4474-80 for details.

Barcode Label



Barcode Label



General Note
TT Electronics reserves the right to make changes in product specification without notice or liability. All information is subject to TT Electronics' own data and is considered accurate at time of going to print.

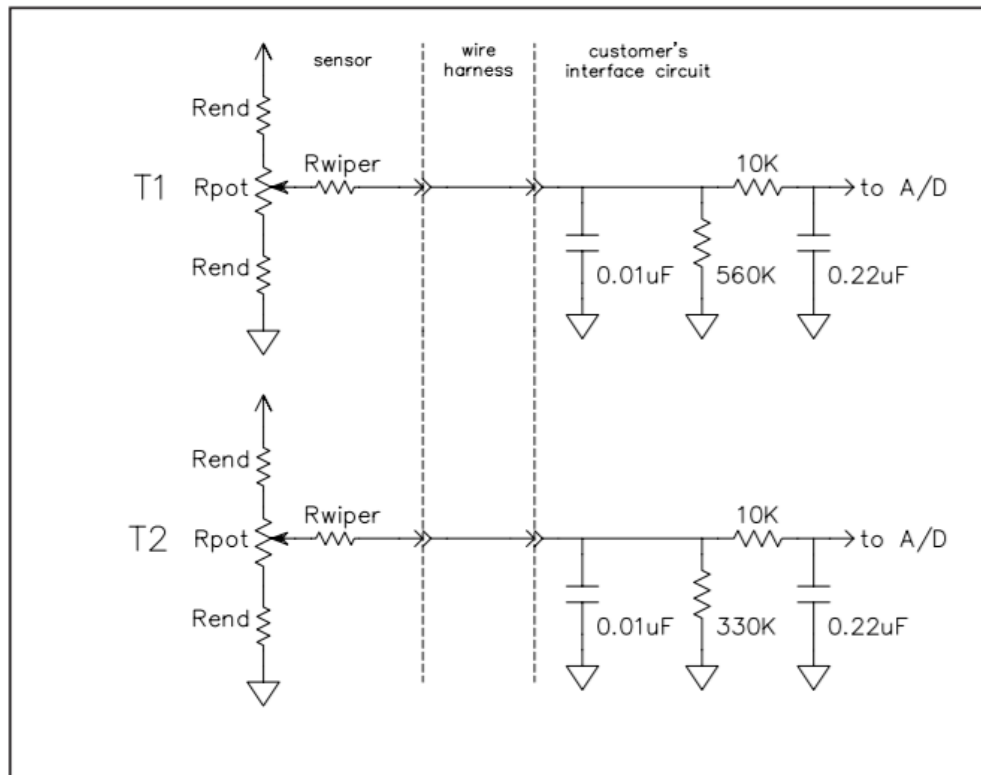
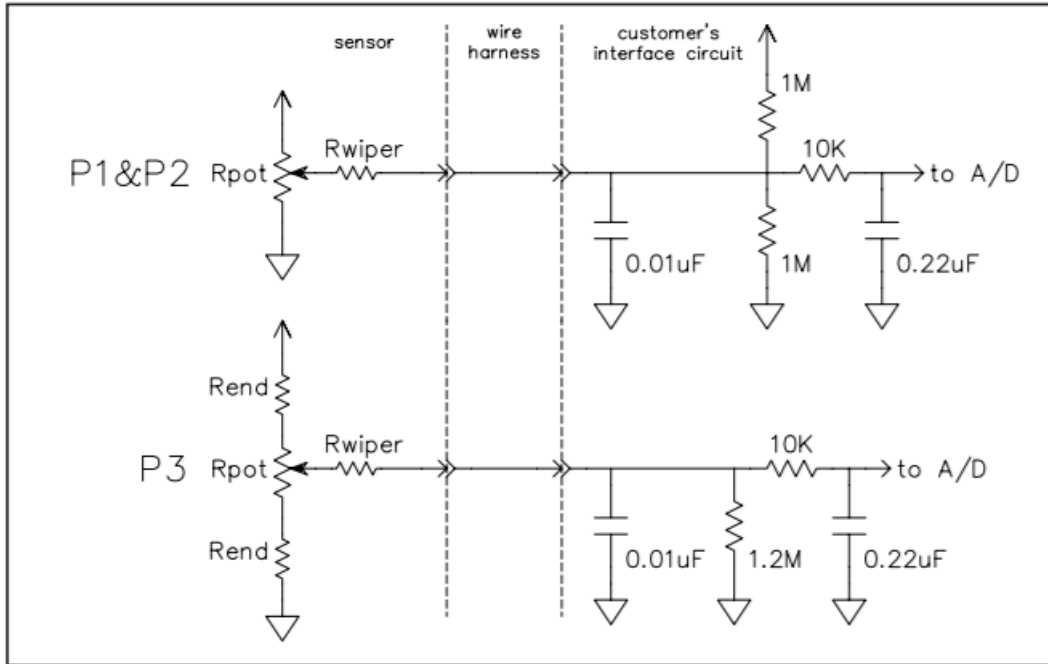
© TT electronics plc

TT Electronics | BI Technologies
413 Rood RD, Suite 7
Calexico, CA 92231

Ph: + 1 (714) 447-2345
www.ttelectronics.com/bi-technologies

Issue D 04/2019 Page 3

Recommended Interface



General Note
 TT Electronics reserves the right to make changes in product specification without notice or liability. All information is subject to TT Electronics' own data and is considered accurate at time of going to print.

© TT electronics plc

TT Electronics | BI Technologies
 413 Rood RD, Suite 7
 Calexico, CA 92231

Ph: + 1 (714) 447-2345
www.ttelectronics.com/bi-technologies

Issue D 04/2019 Page 4