

UNITED KINGDOM 3-PIN PLUG-IN POWER SUPPLY 12VDC 6WATT



PowerPax: T6116ST

Features:

- United Kingdom Fixed AC Head
- 1 Year Warranty
- Level VI Efficiency
- CE Approved



Description:

The Stontronics Range of Class II 6 Watt AC/DC United Kingdom plug-in power supplies provide 6 Watts of continuous power in a compact fixed wall plug enclosure suitable for use in many general power applications.

Specification	
Part Number	T6116ST
Input Voltage Range	90-264Vac
Input Frequency Range	47-63Hz
Input Current Rated	0.2A Max
Output Voltage Rating	+12V
Output Current Range	0.5A
Output Min Current	0.05A
Output Connection Type	2.1x5.5x12mm Centre Positive – Right Angle
Total Output Regulation	+/- 5%
Line and Load Regulation	+/- 5%
Ripple & Noise	300mVp-p
Efficiency	79.03% Min
Over Voltage Protection	15.6VDC Maximum
Over Load Protection	0.55-0.9A max with auto-recovery function
Short-circuit Protection	No Damage
Operating Temperature	0°C to +40°C
Storage Temperature	-20°C to +60°C
Operating Humidity	20% to 85%
Storage Humidity	5% to 95%
Hi-Pot	3000Vac 10mA 1min
Leakage Current	0.25mA max
Safety Standard	Meet T-LICENSE(EN62368-1)
EMI Standard	Meet CE(EN55032, EN55035, EN61000-3-2, EN61000-3-3)
MTBF	50K Hours
Size mm max.	67(L) x 49.5 (W) x 64.8 (H) mm
Weight	74 g
Regulator Type	Switched Mode Power Supply

General Note

TT Electronics reserves the right to make changes in product specification without notice or liability. All information is subject to TT Electronics' own data and is considered accurate at time of going to print.

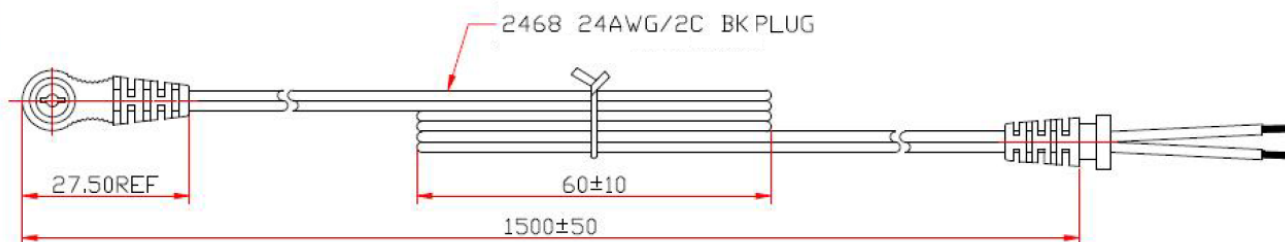
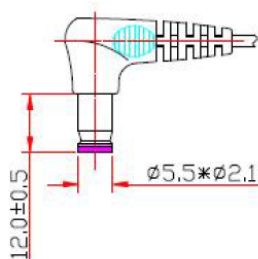
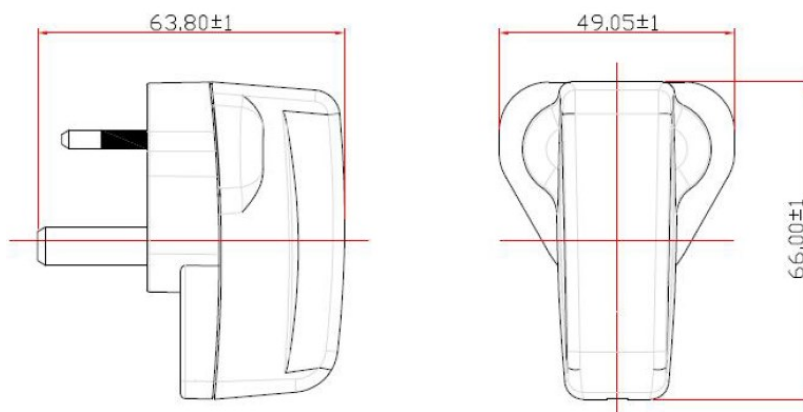
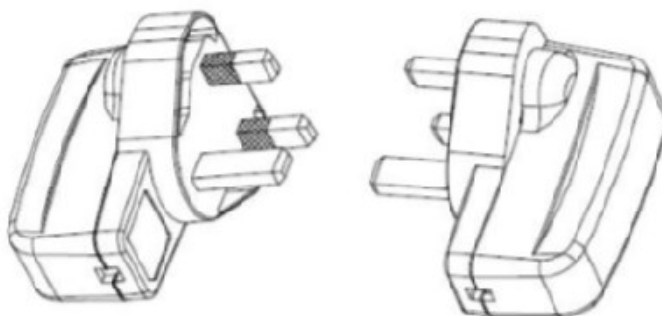
POWERPAX

TT Electronics IoT Solutions Ltd
Tofts Farm East, Brenda Road, Hartlepool, TS25 2BQ, UK
t: +44 (0) 1429 852 500

UNITED KINGDOM 3-PIN PLUG-IN POWER SUPPLY 12VDC 6WATT

PowerPax: T6116ST

Diagrams



General Note
TT Electronics reserves the right to make changes in product specification without notice or liability. All information is subject to TT Electronics' own data and is considered accurate at time of going to print.