

UNITED KINGDOM 3-PIN PLUG-IN POWER SUPPLY 12VDC 24WATT



STONTRONICS: T6159ST

Features:

- United Kingdom Fixed AC Head
- 1 Year Warranty
- Level VI Efficiency
- CE Approved



Description:

The Stontronics Range of Class II 24 Watt AC/DC United Kingdom plug-in power supplies provide 24 Watts of continuous power in a compact fixed wall plug enclosure suitable for use in many general power applications.

| Specification | |
|--------------------------|--|
| Part Number | T6159ST |
| Input Voltage Range | 90-264Vac |
| Input Frequency Range | 47-63Hz |
| Input Current Rated | 0.8A Max |
| Output Voltage Rating | +12V |
| Output Current Range | 2A |
| Output Min Current | 0A |
| Output Connection Type | 2.1x5.5x12mm Centre Positive – Straight Angle |
| Total Output Regulation | +/- 5% |
| Line and Load Regulation | +/- 2% |
| Ripple & Noise | 300mVp-p |
| Efficiency | 86.8% Min |
| Over Voltage Protection | 20VDC Maximum |
| Over Current Protection | 4A max with auto-recovery function |
| Short-Circuit Protection | The adapter shall not be damaged by short the DC output to Ground. |
| Operating Temperature | 0°C to +40°C |
| Storage Temperature | -20°C to +60°C |
| Operating Humidity | 20% to 85% |
| Storage Humidity | 5% to 95% |
| Hi-Pot | 3000VAC 10mA 1min |
| Leakage Current | 0.25mA max |
| Safety Standard | Meet T-LICENSE(BS EN62368-1) |
| EMI Standard | Meet CE(EN55032, EN55035, EN61000-3-2, EN61000-3-3) |
| MTBF | 100K Hours |
| Size mm max. | 74.5 (L) x 50.4 (W) x 88.7 (H) mm |
| Weight | 156 g ±15% |
| Regulator Type | Switched Mode Power Supply |

STONTRONICS

TT Electronics IoT Solutions Ltd

Tofts Farm East, Brenda Road, Hartlepool, TS25 2BQ, UK

t: +44 (0) 1429 852 500

General Note

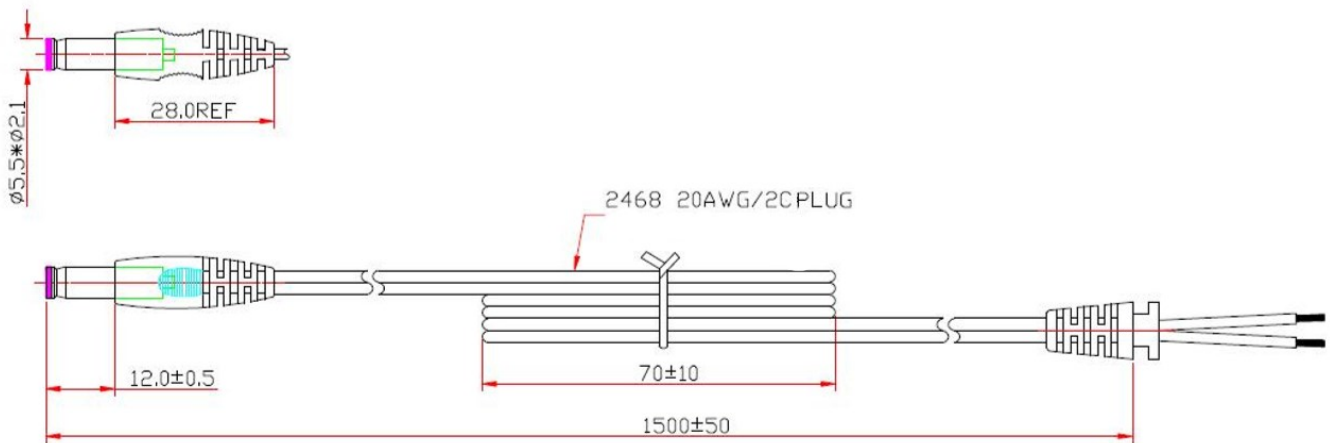
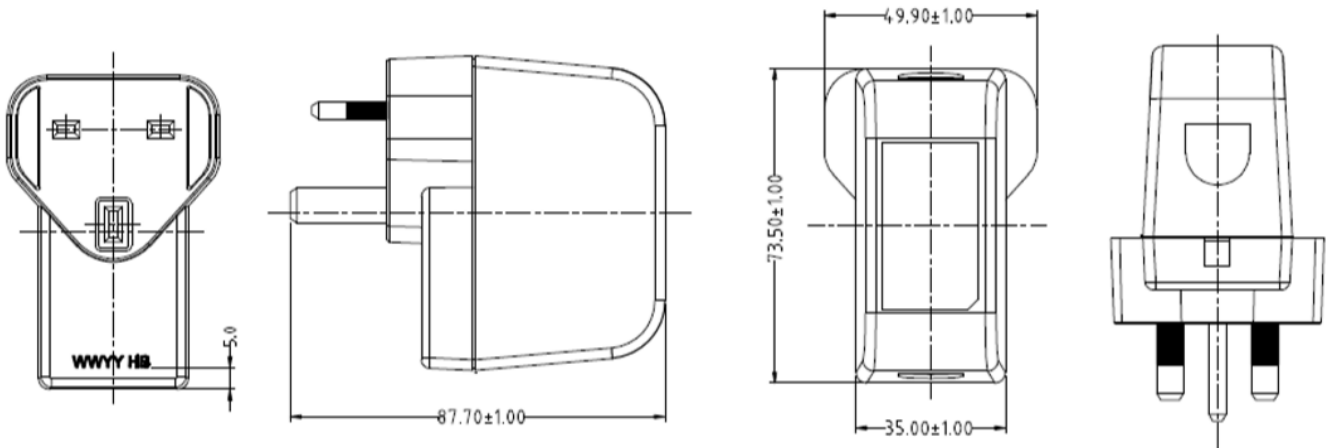
TT Electronics reserves the right to make changes in product specification without notice or liability. All information is subject to TT Electronics' own data and is considered accurate at time of going to print.

UNITED KINGDOM 3-PIN PLUG-IN POWER SUPPLY 12VDC 24WATT



STONTRONICS: T6159ST

Diagrams



General Note
TT Electronics reserves the right to make changes in product specification without notice or liability. All information is subject to TT Electronics' own data and is considered accurate at time of going to print.

STONTRONICS

TT Electronics IoT Solutions Ltd
Tofts Farm East, Brenda Road, Hartlepool, TS25 2BQ, UK
t: +44 (0) 1429 852 500