

Rotary Encoder

Model EN08



Mechanical

Total mechanical travel	Continuous
Detents (per revolution)	0, 20 and 30
Rotational torque of detent, maximum	2.5 oz-in
Switch operating force	550 gf
Switch travel	0.5mm

Mechanical Specifications

Total mechanical travel	Continuous
Detents (per revolution)	0, 20
Rotational torque of detent, maximum	1.0 oz-in
Switch operating force, maximum	850 gf
Switch travel, maximum	0.5 mm

Environmental Specifications

Operating temperature range	-30°C to +70°C
Operation life	Switch: 15,000 actuations, Encoders: 50,000 cycles

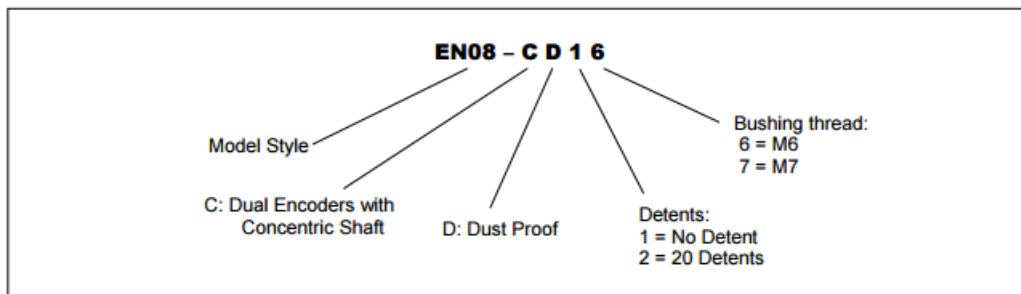
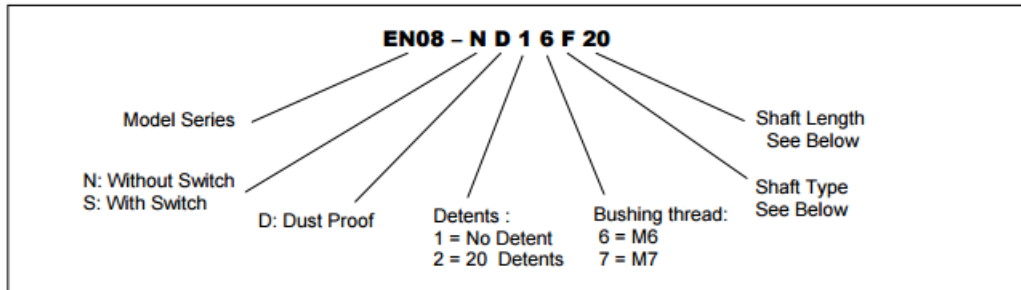
General Note
TT Electronics reserves the right to make changes in product specification without notice or liability. All information is subject to TT Electronics' own data and is considered accurate at time of going to print.

© TT electronics plc

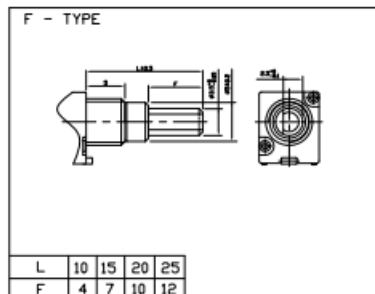
TT Electronics | BI Technologies
413 Rood Rd, Suite 7
Calexico, CA 92231

Ph: +1 714 447 2345
www.ttelectronics.com/bi-technologies

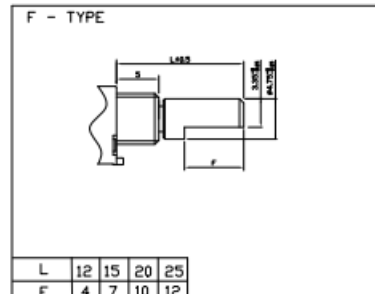
Ordering Information



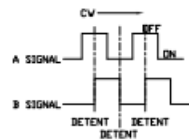
Shaft Type for P08x-N



Shaft Type for P08x-S



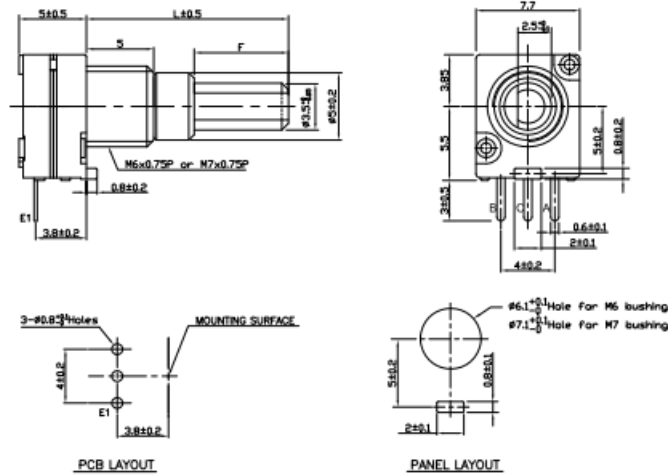
Circuit Diagram



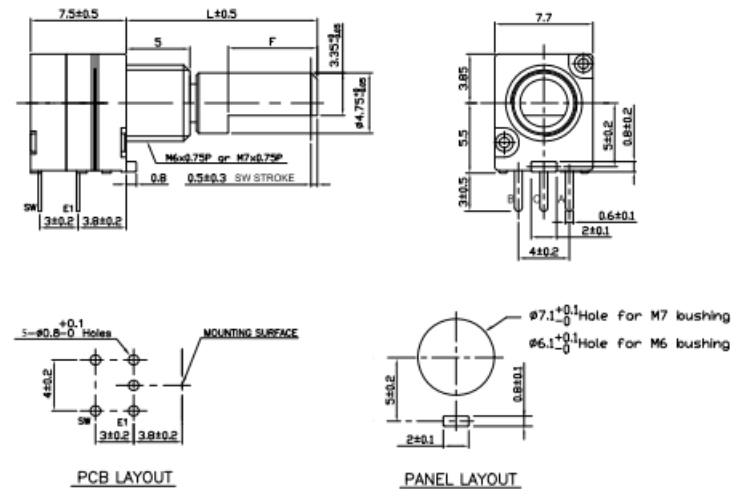
² Contact our customer service for custom designs and features.

Outline Drawing

EN08-N (Single Encoder)

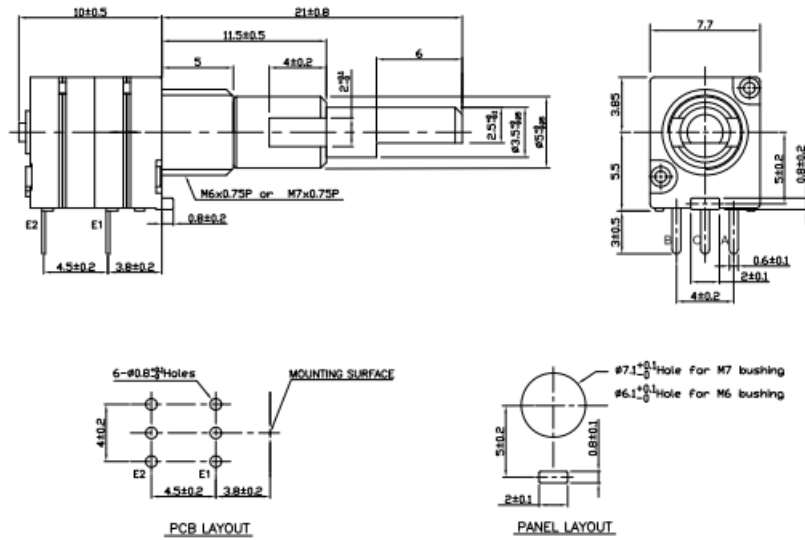


EN08-S (Single Encoder, with Momentary Switch)



Outline Drawing

EN08-C (Dual Encoders, Concentric shaft)



General Note

TT Electronics reserves the right to make changes in product specification without notice or liability. All information is subject to TT Electronics' own data and is considered accurate at time of going to print.