

Linear Motorized Potentiometer

LM1001



OBSOLETE

Features:

- Resistance range 1 k Ω
- Temperature range -10°C to 60°C
- Rotational life of 30,000 minimum
- Option lever height
- Touch sense build in
- RoHS compliant

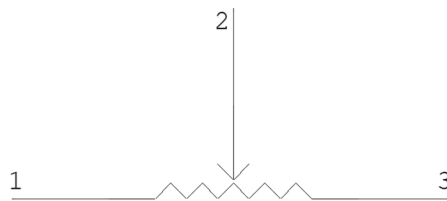


Description:

Motorized linear potentiometer family, perfect for digital mixing boards and other audio visual equipment.

Applications:

- Audio mixers
- Video mixers
- Light boards
- Keyboards
- Musical instruments
- Stage equipment



3D Model

To view 3D model:
1) Enable 3D content
2) Click and drag below



If unable to view 3D content,
[download and save this PDF](#)
to your computer and open it
in Adobe Acrobat Reader.

Electrical Characteristics

TA=25°C unless otherwise noted

Resistance Range	10 k Ω
Standard Resistance Tolerance	\pm 20%
Residual Resistance	100 M Ω 1 minimum at 250 Vdc
Resistance Taper	A, B, C
Maximum Operating Voltage	200 Vac
Rated Power	0.5 W
Dielectric Strength	1 minimum at 250 Vac
Slider Noise	68 mV
Insulation Resistance	100 M Ω 1 minimum at 250 Vdc
Touch Sense Track	Yes
Element Count	Single unit

General Note

TT Electronics reserves the right to make changes in product specification without notice or liability. All information is subject to TT Electronics' own data and is considered accurate at time of going to print.

© TT electronics plc

TT Electronics | BI Technologies
Circulo de la Amistad #102 PIMSA IV Mexicali B.C. Mexico C.P 21210
Ph: + 1 (714) 447-2345
www.ttelectronics.com/bi-technologies

Rev - 06/2019 Page 1

Document #: _____

Mechanical Characteristics

T_A = 25°C unless otherwise noted

Mechanical Travel	60 mm, 100 mm
Operating Force	15—45 gf.cm
Stopper Strength	≥5,000 gf
Lever Wobble	1.6 mm p-p maximum
Lever Deviation	0.5 mm maximum (one side)
Operational Life	30,000 cycles minimum
TR Shift	±15%
Touch Sense Track	Yes

Motor Characteristics

T_A = 25°C unless otherwise noted

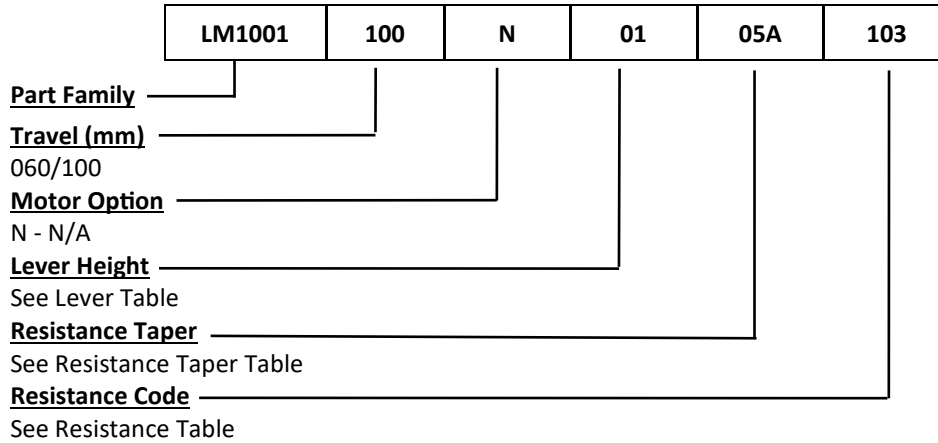
Rated Voltage	10 Vdc
Rated Current	400 mA - 800 mA
Operating Supply Voltage Range	6 V - 10 V
Starting Force	≥0.2 N

Environmental Characteristics

T_A = 25°C unless otherwise noted

Operating Temperature Range	-10 °C to 60 °C
IP Rating	N/A
Soldering Condition	260°C maximum for 3 seconds
RoHS	Please refer to TT Electronics website
REACH	Please refer to TT Electronics website

Ordering Info



Lever Table		
Order Code	L (mm)	Lever Style
01	9.5	A
02	11	
03	14	
04	8.2	B

Resistance Taper Table (Code)		
Taper "A"	Taper "B"	Taper "C"
05A	00B	05C
10A	01B	10C
15A	02B	15C
20A	03B	20C
25A	04B	25C
30A	05B	30C

Resistance Table	
Code	Resistance
102	1K
202	2K
502	5K
103	10K
203	20K
503	50K
104	100K
204	200K
504	500K

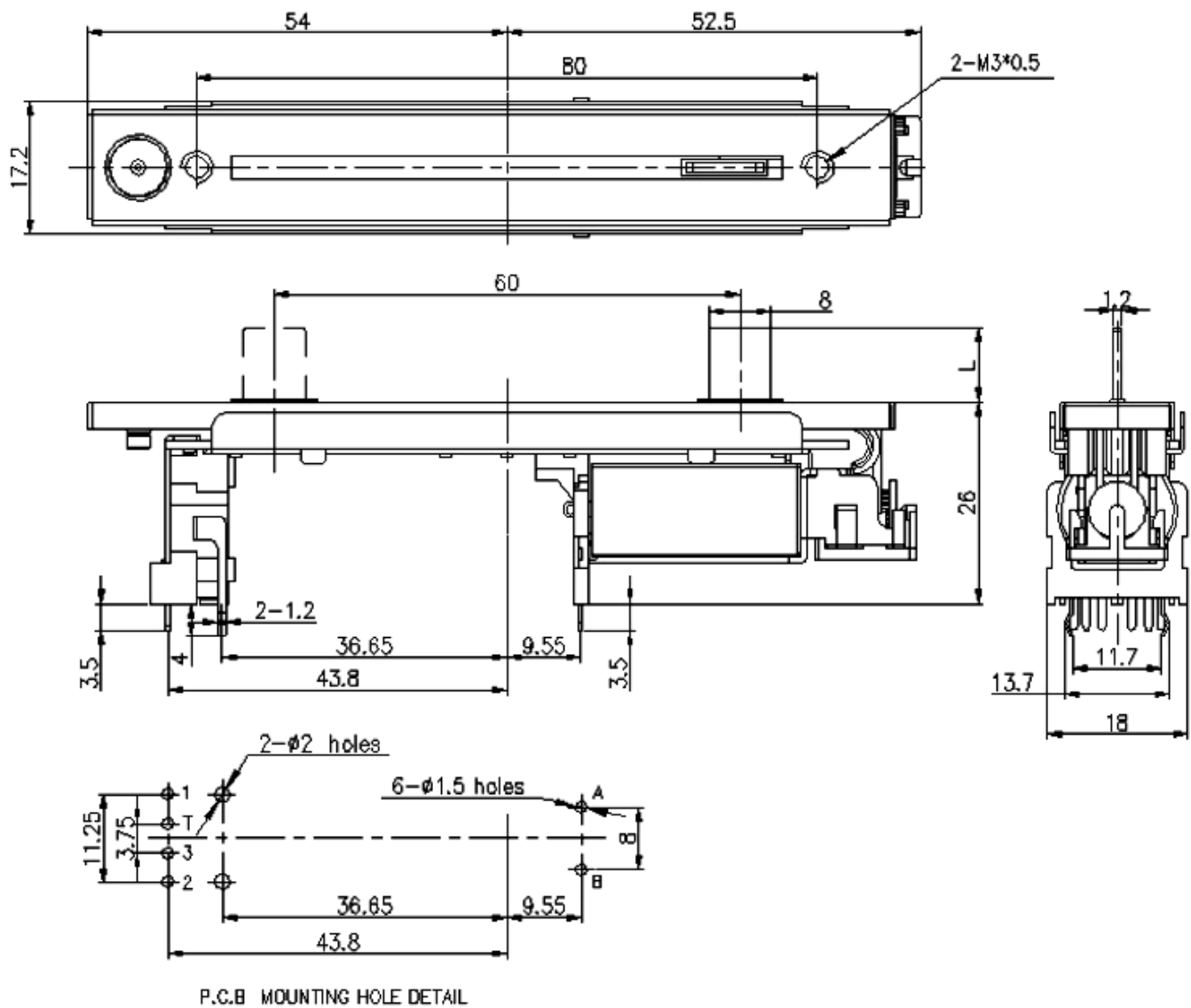
Linear Motorized Potentiometer

LM1001

OBSOLETE

Outline Drawings

LM1001—60mm



General Note
TT Electronics reserves the right to make changes in product specification without notice or liability. All information is subject to TT Electronics' own data and is considered accurate at time of going to print.

TT Electronics | BI Technologies
Circulo de la Amistad #102 PIMSA IV Mexicali B.C. Mexico C.P 21210
Ph: + 1 (714) 447-2345
www.ttelectronics.com/bi-technologies

Rev - 06/2019 Page 4

Document #: _____

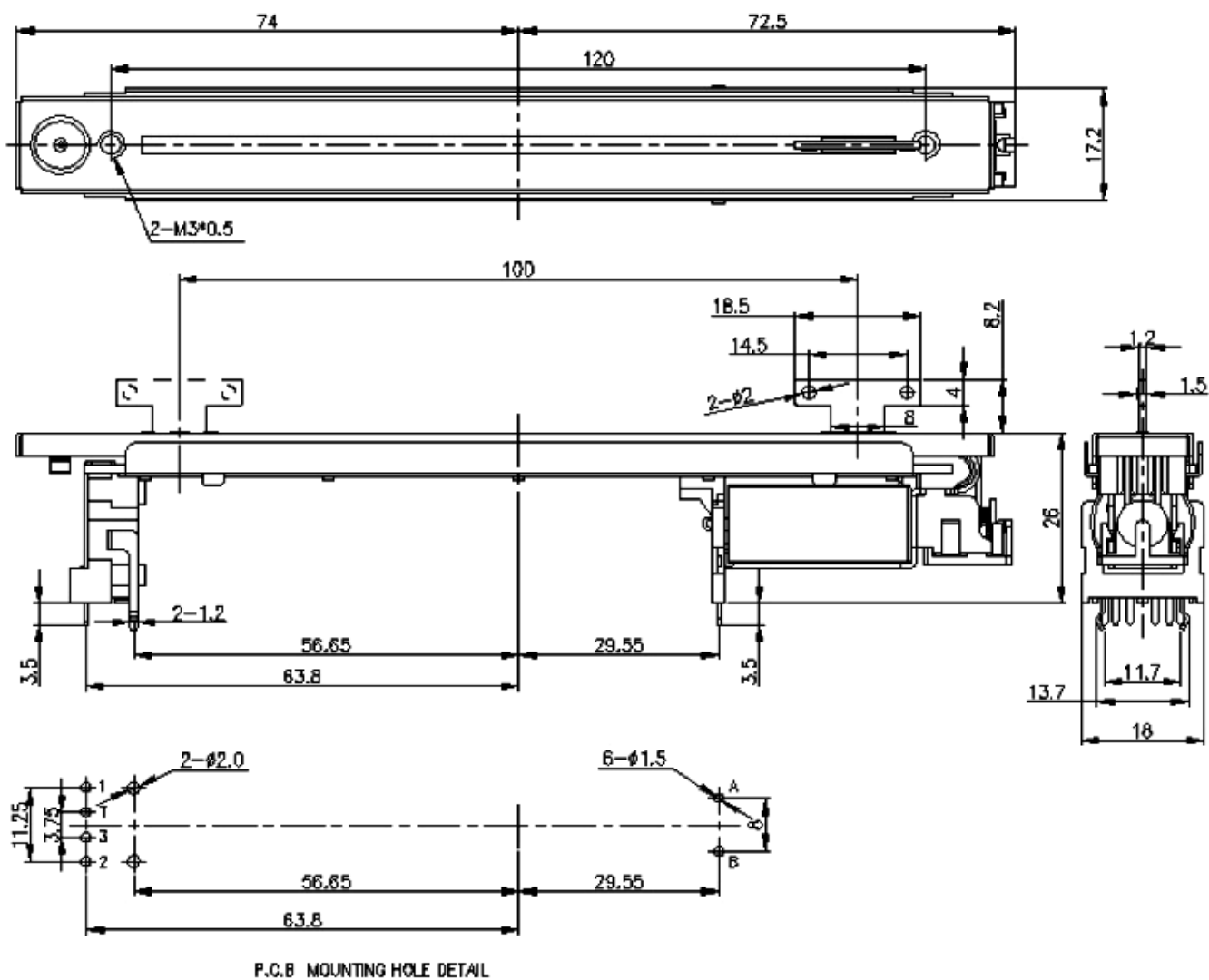
Linear Motorized Potentiometer

LM1001

OBSOLETE

Outline Drawings

LM1001—100mm



General Note
TT Electronics reserves the right to make changes in product specification without notice or liability. All information is subject to TT Electronics' own data and is considered accurate at time of going to print.

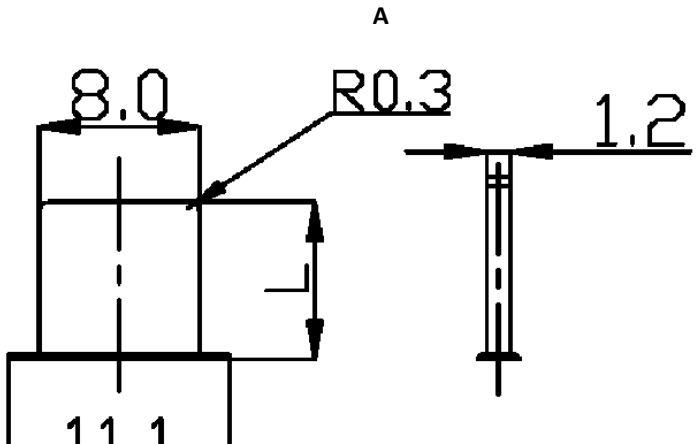
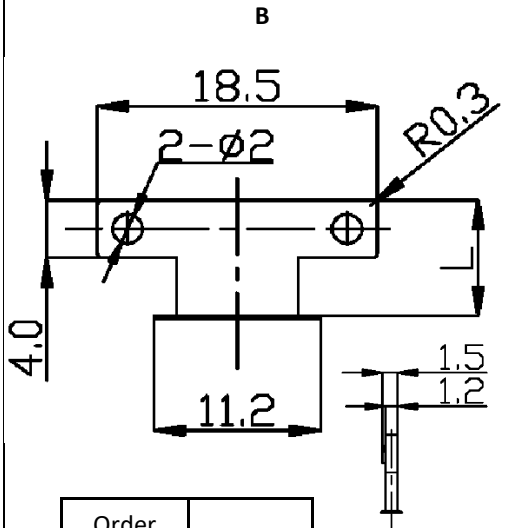
© TT electronics plc

TT Electronics | BI Technologies
Circulo de la Amistad #102 PIMSA IV Mexicali B.C. Mexico C.P 21210
Ph: + 1 (714) 447-2345
www.ttelectronics.com/bi-technologies

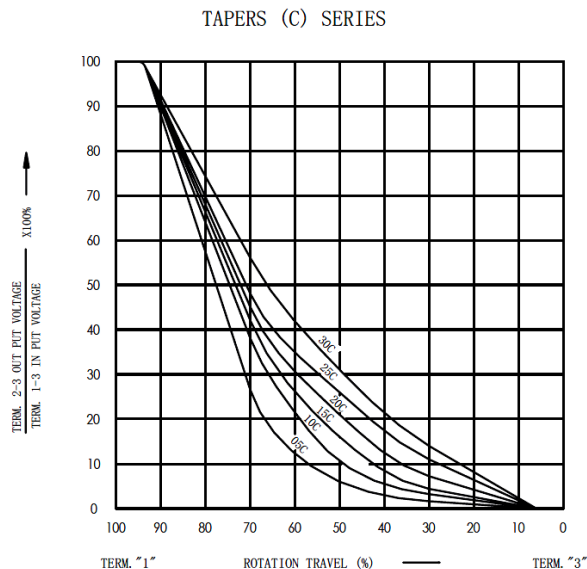
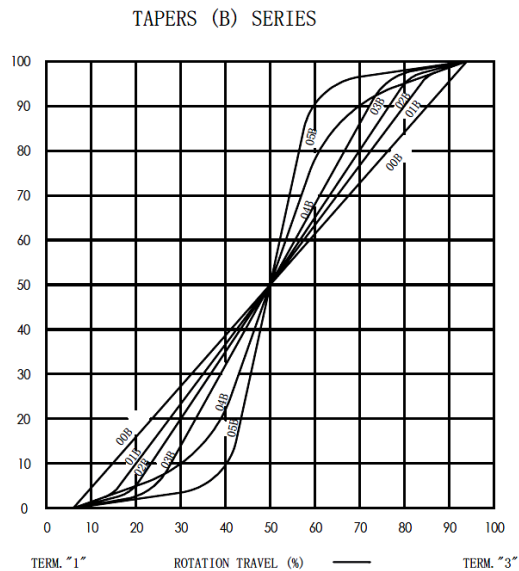
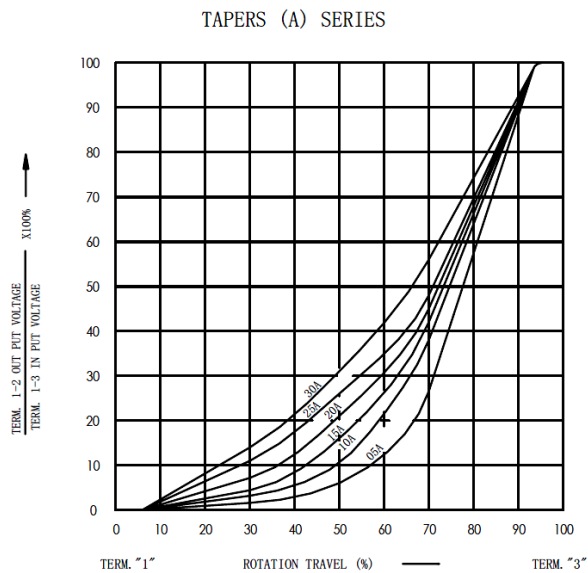
Rev - 06/2019 Page 5

Document #: _____

Lever Table

Lever Style	<p style="text-align: center;">A</p>  <table border="1" style="margin-left: auto; margin-right: auto; border-collapse: collapse;"> <thead> <tr> <th style="text-align: center;">Order Code (A)</th> <th style="text-align: center;">L (mm)</th> </tr> </thead> <tbody> <tr> <td style="text-align: center;">01</td> <td style="text-align: center;">9.5</td> </tr> <tr> <td style="text-align: center;">02</td> <td style="text-align: center;">11</td> </tr> <tr> <td style="text-align: center;">03</td> <td style="text-align: center;">14</td> </tr> </tbody> </table>	Order Code (A)	L (mm)	01	9.5	02	11	03	14	<p style="text-align: center;">B</p>  <table border="1" style="margin-left: auto; margin-right: auto; border-collapse: collapse;"> <thead> <tr> <th style="text-align: center;">Order Code (B)</th> <th style="text-align: center;">L (mm)</th> </tr> </thead> <tbody> <tr> <td style="text-align: center;">04</td> <td style="text-align: center;">8.2</td> </tr> </tbody> </table>	Order Code (B)	L (mm)	04	8.2
Order Code (A)	L (mm)													
01	9.5													
02	11													
03	14													
Order Code (B)	L (mm)													
04	8.2													

Taper Charts



Resistance Taper Table (Code)		
Taper "A"	Taper "B"	Taper "C"
05A	00B	05C
10A	01B	10C
15A	02B	15C
20A	03B	20C
25A	04B	25C
30A	05B	30C

Packaging

Standard Packaging	N/A
Included Hardware	None

General Note
 TT Electronics reserves the right to make changes in product specification without notice or liability. All information is subject to TT Electronics' own data and is considered accurate at time of going to print.

TT Electronics | BI Technologies
 Circulo de la Amistad #102 PIMSA IV Mexicali B.C. Mexico C.P 21210
 Ph: + 1 (714) 447-2345
www.ttelectronics.com/bi-technologies