

PEAMD150 Power Supply Series (150W)

Features:

- IEC 60601-1-2 4th Edition EMC Compliant
- Efficiency Level VI
- <210mW No Load Power Consumption
- BF Rated Output on Class II Models
- IEC320-C6, C8, C14 or C18 Inlet
- Short Circuit, Overload and Overvoltage Protection



Description:

The PEAMD150 series of AC/DC switching power supplies are for 150 watts of continuous output power. They are available as Class I or Class II devices with the inlet of the IEC320/C14, C6, C8, or C18 to mate with an interchangeable cord for world-wide use. All models meet FCC, EN55011, and CISPR11 class B emission limits, and comply with UL, IEC, DOE level VI, CE, and more.

Model	Output Voltage	Current	Total Power	Load Regulation	Line Regulation	Ripple & Noise ⁶
PEAMD150-12	12VDC	12.5A	150W	±5%	±1%	240mV
PEAMD150-13	15VDC	10.0A	150W	±5%	±1%	240mV
PEAMD150-13-2	19VDC	7.89A	150W	±5%	±1%	360mV
PEAMD150-14	24VDC	6.25A	150W	±5%	±1%	360mV
PEAMD150-17	36VDC	4.17A	150W	±5%	±1%	630mV
PEAMD150-18	48VDC	3.13A	150W	±5%	±1%	840mV

Notes:

C14 standard receptacle

For C8 input receptacle, model numbers are PEAMD150SF-XX. For example, PEAMD150SF-12

For C6 input receptacle, model numbers are PEAMD150S-XX. For example, PEAMD150S-12

For C18 input receptacle, model numbers are PEAMD150F-XX. For example, PEAMD150F-12

Specifications	
Input	
Input Voltage	90-264VAC
Input Frequency	47-63Hz
Input Current	<2.0A max. @ 115 VAC
Safety Isolation	4.0kVAC Input to Output, 1.5kVAC Input to Ground
Leakage Current	<100µA max. @ 240VAC
Inrush Current	60A @ 110VAC, 120A @ 220VAC; cold start, max. load
Power Factor	>0.9
Output	
Total Output Power	150W
Hold Up Time	>10mS typical/full load,
Turn On Time	100VAC <3seconds
Efficiency	≥88% average
Minimum Load	No minimum load
Protection Features	
Overvoltage Protection	150% max. of rated voltage. Latching mode. Cycle AC for recovery.
Overcurrent	110-150% of rated current. Auto-restart when fault removed.
Short Circuit Protection	Hiccup mode. Auto recovery.
Ingress	IP22 Compliant
Environmental	
Operating Temperature	0°C to +60°C (Derate output power linearly from 100% at 40°C to 50% at 60°C)
Storage Temperature	-20°C to +85°C
Humidity	10% - 90% non-condensing
Operating Altitude	5,000 Meters Operating & Non-operating
General Specifications	
Dimensions	7.0"L x 2.56"W x 1.57"H
AC input Receptacle	IEC320-C6, C8, C14 or C18
DC Output Plug	Kycon KPP-4P or equivalent
Weight	1.5 pounds
MTBF	>100,000 hours @ full load and 25°C per MIL-HDBK-217F

Specifications Continued

Safety

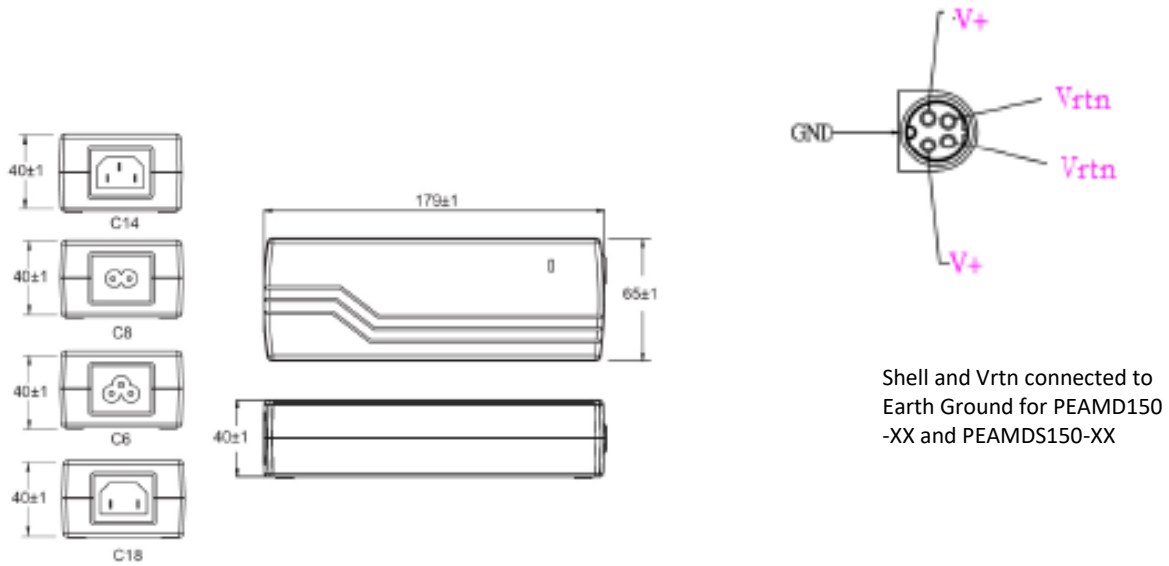
Approved to USA/Canada	ANSI/AAMI ES60601-1 cUL ES60601-1
Approved to Europe	TUV EN60601-1 3rd edition CB Report
*Consult with TT Electronics for information on additional country safety approvals	

EMC

EMC (IEC60601-1-2:2014)	FCC Class B Radiated & Conducted CISPR11 Class B Radiated & Conducted EN55011 Class B Radiated & Conducted
Harmonic Currents	IEC 61000-3-2
Voltage Flicker	IEC 61000-3-3
Electrostatic Discharge	IEC 61000-4-2: ±15kV Air, ±8kV contact
Radiated Immunity	IEC 61000-4-3: 10V/m
EFT	IEC 61000-4-4: ±2kV
Surge Immunity	IEC 61000-4-5: 1kV diff, 2kV com
Conducted Immunity	IEC 61000-4-6: 10Vrms
Power Frequency Magnetic Field Immunity	IEC 61000-4-8: 30A/m
Dips/Interruptions	IEC 61000-4-11: Voltage dip immunity, 30% reduction for 500ms, 100% reduction for 10ms

Diagrams

Mechanical Outline



Thermal Derating Curve

