

EUROPEAN 2-PIN PLUG-IN POWER SUPPLY 6 VDC 6 WATT

POWERPAX: SW4305D

Features:

- European Fixed AC Head
- 1 Year Warranty
- Level VI Efficiency
- CE Approved



Description:

Our Range of Class II 6 Watt AC/DC European plug-in power supplies provide 6 Watts of continuous power in a compact fixed wall plug enclosure suitable for use in many general power applications.

Specification	
Part Number	SW4305D
Input Voltage Range	90-264Vac
Input Frequency Range	50-60Hz
Input Current Rated	0.18A
Output Voltage Rating	6V
Output Current Range	1A
Output Min Current	0.01A
Output Connection Type	2.1x5.5x12mm Centre Positive – Straight
Total Output Regulation	+/- 5%
Line and Load Regulation	+/- 5%
Ripple & Noise	200mA
Efficiency	73.62%
Over Voltage Protection	Auto-recovery
Over Load Protection	Auto-recovery
Operating Temperature	0°C to +40°C
Storage Temperature	-20°C to +80°C
Operating Humidity	10%-90%
Storage Humidity	10%-90%
Hi-Pot	3000Vac, 5mA, 1 minute
Leakage Current	0.25mA.
Safety Standard	FCC part 15: Class B, EN55022:2010, Class B, GB9254-2008, GB17625.1-2012
EMI Standard	TUV/VDE-EN60950-1, Declared& CE Mark
MTBF	30K Hours
Size mm max.	55.1(L) x 24.1(W) x 35.49(H)
Weight	70g

General Note

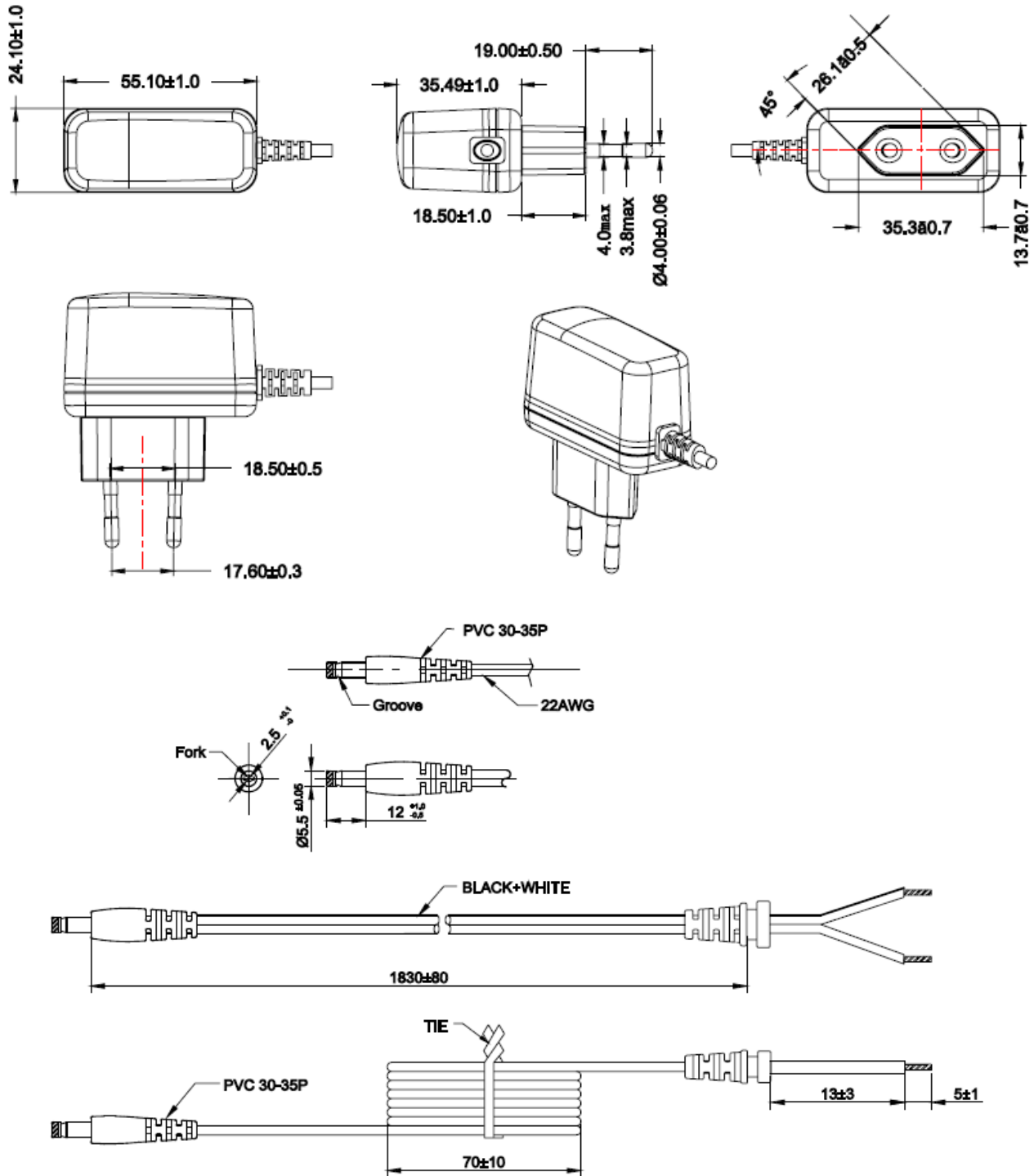
TT Electronics reserves the right to make changes in product specification without notice or liability. All information is subject to TT Electronics' own data and is considered accurate at time of going to print.

POWERPAX

TT Electronics IoT Solutions Ltd
Tofts Farm East, Brenda Road, Hartlepool, TS25 2BQ, UK
t: +44 (0) 1429 852 500

EUROPEAN 2-PIN PLUG-IN POWER SUPPLY 6 VDC 6 WATT POWERPAX: SW4305D

Diagrams



General Note

TT Electronics reserves the right to make changes in product specification without notice or liability. All information is subject to TT Electronics' own data and is considered accurate at time of going to print.

POWERPAX

TT Electronics IoT Solutions Ltd
Tofts Farm East, Brenda Road, Hartlepool, TS25 2BQ, UK
t: +44 (0) 1429 852 500