

INTERCHANGEABLE WALL PLUG POWER SUPPLY 15VDC 65WATT

POWERPAX: SW4520-C



Features:

- Interchangeable AC Heads
- 1 Year Warranty
- Level VI Efficiency
- Worldwide Approvals

Description:

Our range of 65 Watt Interchangeable wall plug power supplies provide 65 Watts of continuous power with the flexibility of worldwide usage as they are supplied with UK, Euro, USA & Auz AC Heads , all Efficiency Level VI and carry worldwide safety

Specification	
Part Number	SW4520-C
Input Voltage Range	90-264 Vac
Input Frequency Range	47-63Hz
Input Current Rated	1.5A Max
Input AC Heads	UK, Euro, USA & Auz
Output Voltage	15V
Output Current Range	4.33A
Output Min Current	0A
Output Connection Type	2.1x5.5x12mm centre positive – Straight
Total Output Regulation	+/- 5%
Line and Load Regulation	+/- 5%
Ripple & Noise	150mVp-p
Efficiency	88%
Over Voltage Protection	Over voltage protection point will be less than output voltage 120%.
Over Load Protection	Over load protection point output current min 120% with auto-recovery function .
Operating Temperature	0°C to +40°C
Storage Temperature	-20°C to +70°C
Operating Humidity	20% to 80%
Storage Humidity	5% to 95%
Hi-Pot	3000VAC 10mA 1min
Leakage Current	0.25mA max
Safety Standard	CB, TUV, GS, cTUVus
EMI Standard	CE, FCC, VCCI, RCM
MTBF	40K Hours
Size mm max.	109(L) x 47(W) x 32(H)
Weight	350 g

General Note

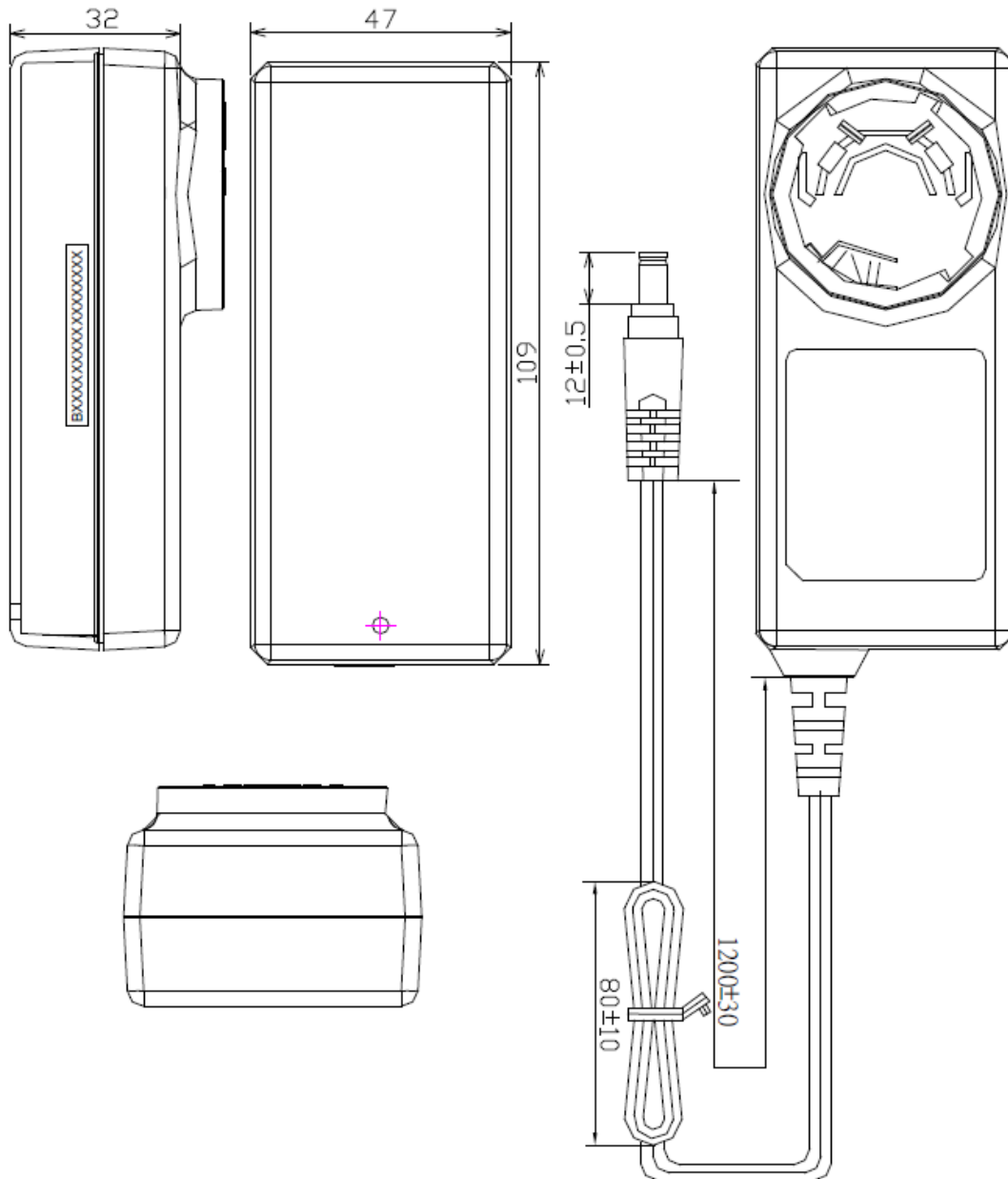
TT Electronics reserves the right to make changes in product specification without notice or liability. All information is subject to TT Electronics' own data and is considered accurate at time of going to print.

POWERPAX

TT Electronics IoT Solutions Ltd
Tofts Farm East, Brenda Road, Hartlepool, TS25 2BQ, UK
t: +44 (0) 1429 852 500

INTERCHANGEABLE WALL PLUG POWER SUPPLY 15VDC 65WATT POWERPAX: SW4520-C

Diagrams



General Note

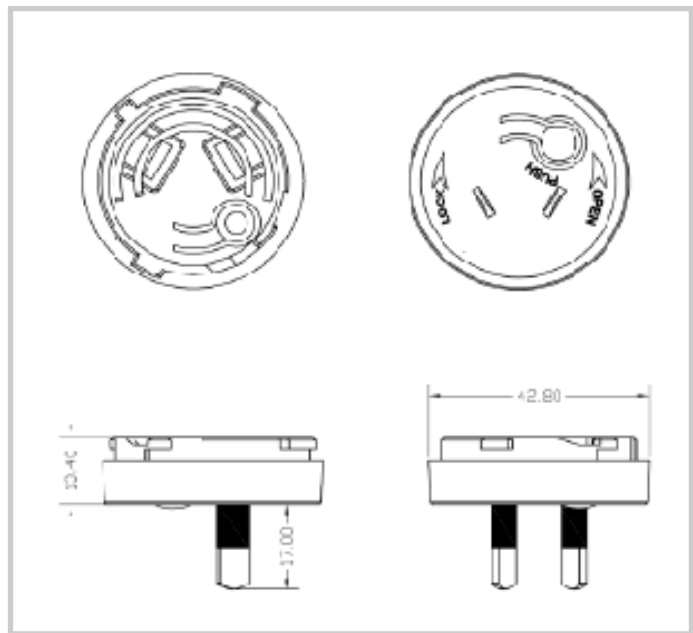
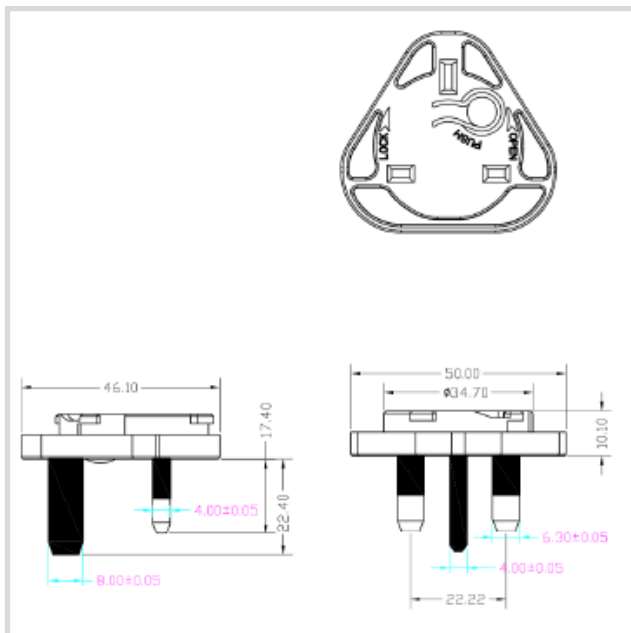
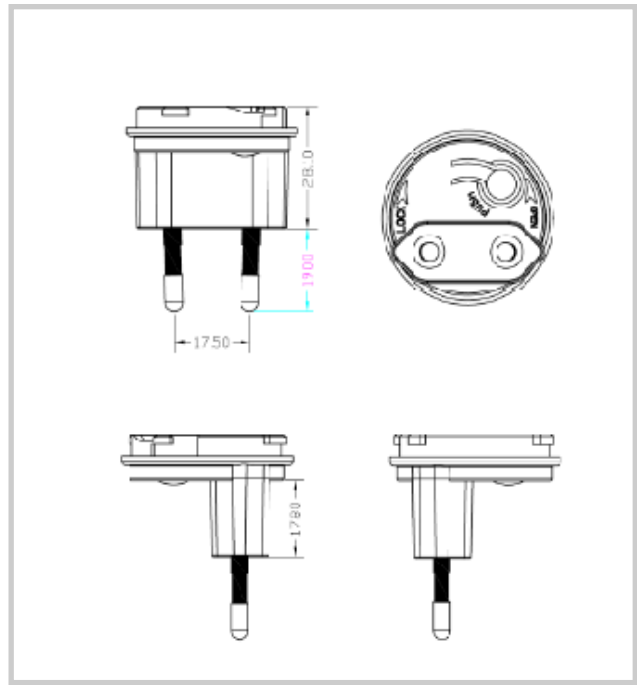
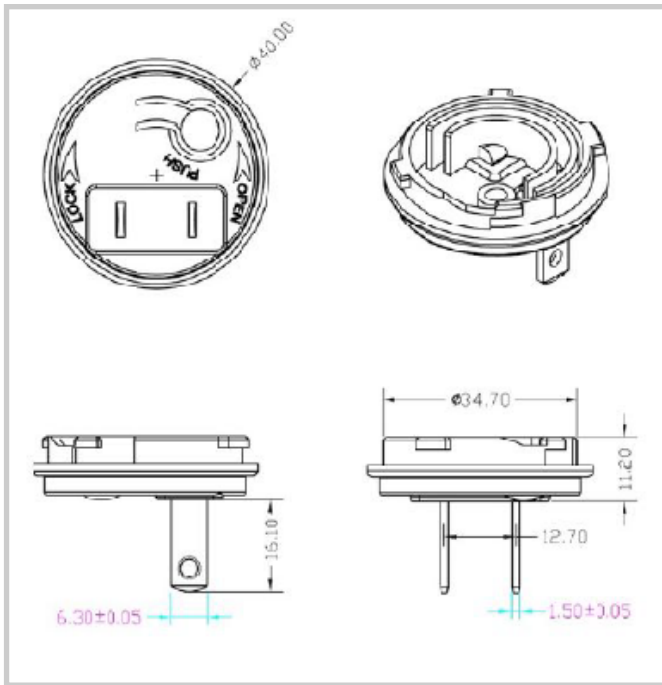
TT Electronics reserves the right to make changes in product specification without notice or liability. All information is subject to TT Electronics' own data and is considered accurate at time of going to print.

POWERPAX

TT Electronics IoT Solutions Ltd
Tofts Farm East, Brenda Road, Hartlepool, TS25 2BQ, UK
t: +44 (0) 1429 852 500

INTERCHANGEABLE WALL PLUG POWER SUPPLY 15VDC 65WATT POWERPAX: SW4520-C

Diagrams



General Note
TT Electronics reserves the right to make changes in product specification without notice or liability. All information is subject to TT Electronics' own data and is considered accurate at time of going to print.