

SX-4417

Non-Contacting Steering Sensor



Features:

- Dual torque and multi-turn position outputs in one compact package
- Redundant outputs for full diagnostics
- Lead-free
- RoHS 2 compliant

Applications:

- Electric power steering systems

Electrical

Torque operating input voltage range	4.5 to 5.5 VDC
Torque input voltage absolute limits	-14.5 to +30 VDC
Torque supply current	10 to 20 mA
Torque sensed angle	±5°
Torque signal linearity	±3%
Torque hysteresis	±1.3%
Torque signal microgradient (over travel increment of 0.4°)	3.2% V_{in} ±1.0% V_{in}
Torque wobble	40 mV
Position operating input voltage range	4.5 to 5.5 VDC
Position input voltage absolute limits	-0.3 to +6.5 VDC
Position supply current	25 to 50 mA
Position signal linearity	±1%
Position hysteresis	±0.25%
Position signal microgradient (over travel increment of 2°)	1.11% V_{in} ±0.34% V_{in}

Mechanical

Torque mechanical travel	Continuous
Position mechanical travel	Continuous
Turning torque (position rotor to housing)	0.02 NM maximum
Weight	101 gram maximum

General Note
TT Electronics reserves the right to make changes in product specification without notice or liability. All information is subject to TT Electronics' own data and is considered accurate at time of going to print.

© TT electronics plc

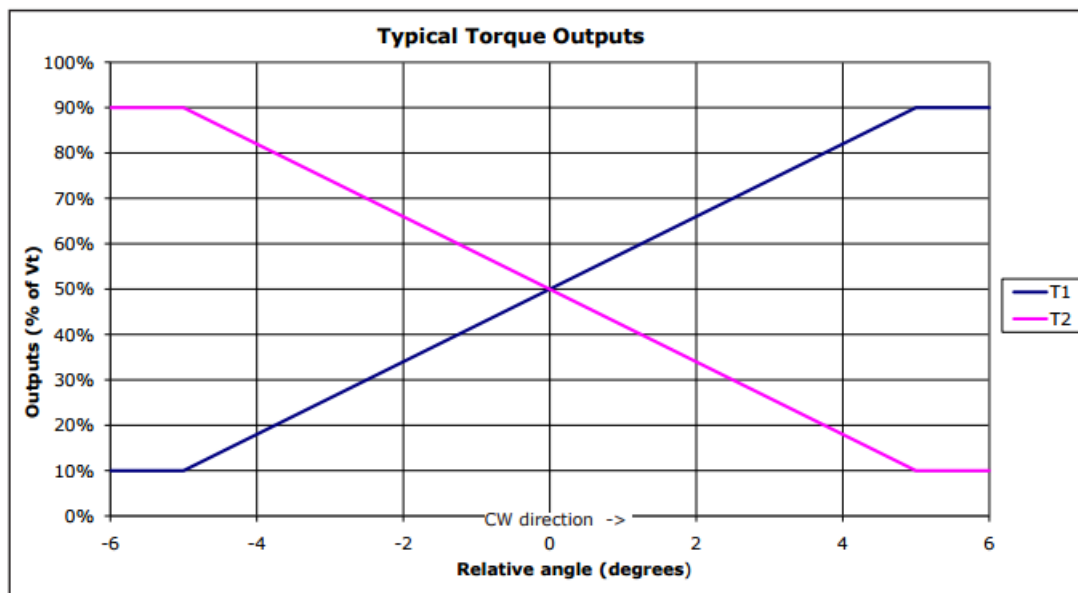
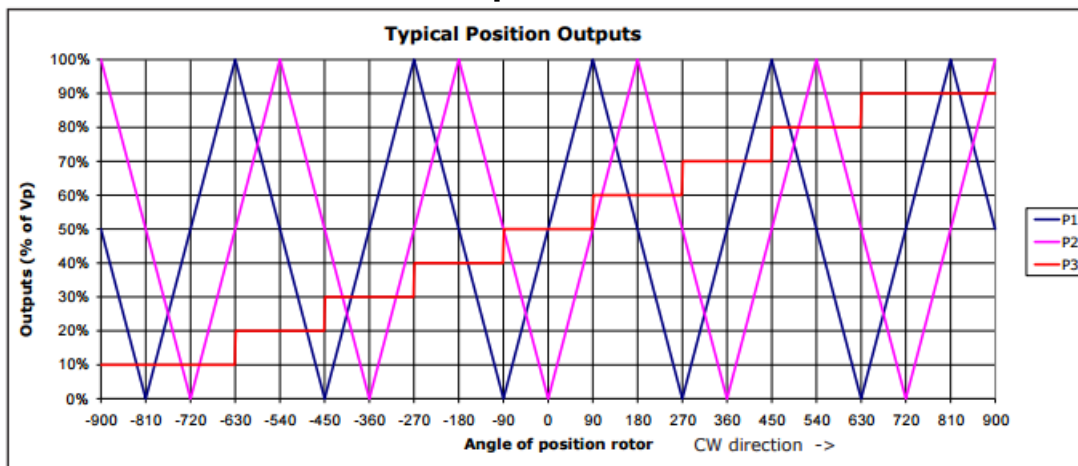
TT Electronics | BI Technologies
413 Rood RD, Suite 7
Calexico, CA 92231

Ph: + 1 (714) 447-2345
www.ttelectronics.com/bi-technologies
Issue D 04/2019 Page 1

Environmental

Operating temperature range	-40°C to +85°C
Vibration	10 to 55 Hz with 1 mm P-P constant displacement, 120 hours each of 3 planes
Torque rotational life	Infinite (non-contacting)
Position rotational life	1 million revolutions
Storage temperature range	-55°C to +105°C

Output Charts



Different output signals can be easily configured by BI. Contact factory for details.

General Note
 TT Electronics reserves the right to make changes in product specification without notice or liability. All information is subject to TT Electronics' own data and is considered accurate at time of going to print.

© TT electronics plc

TT Electronics | BI Technologies
 413 Rood RD, Suite 7
 Calexico, CA 92231

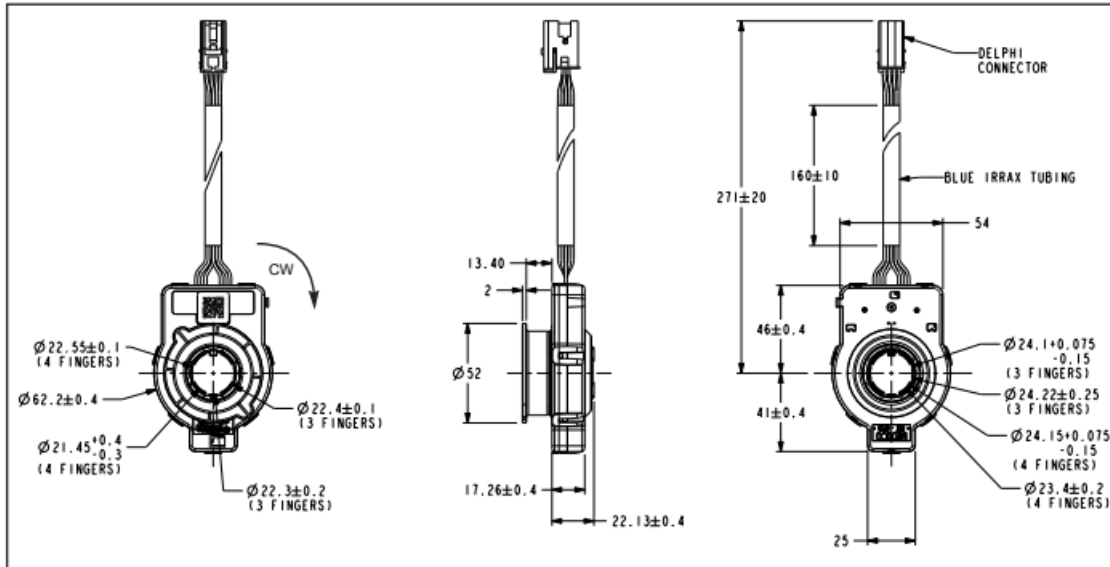
Ph: + 1 (714) 447-2345
www.ttelectronics.com/bi-technologies

SX-4417

Non-Contacting Steering Sensor

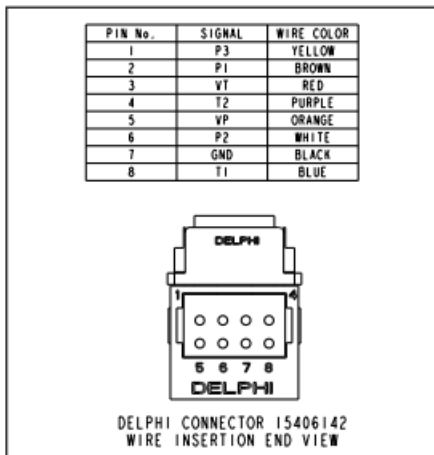


Outline Drawing



Dimensions in mm
Detailed outline drawing available on request

Pinouts

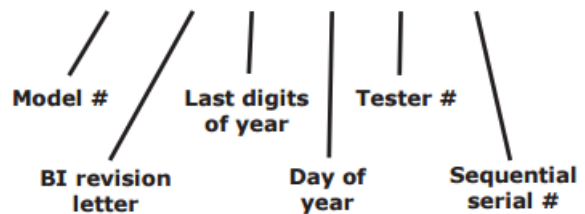


Barcode Label



Micro QR M4
symbology

Content not human readable:
4417 E YY DDD T SSSS



General Note
TT Electronics reserves the right to make changes in product specification without notice or liability. All information is subject to TT Electronics' own data and is considered accurate at time of going to print.

© TT electronics plc

TT Electronics | BI Technologies
413 Rood RD, Suite 7
Calexico, CA 92231

Ph: + 1 (714) 447-2345
www.ttelectronics.com/bi-technologies

Issue D 04/2019 Page 3