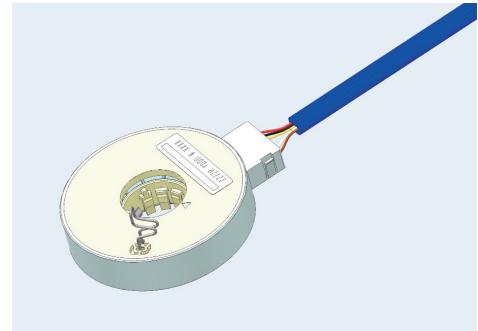


LH3 Steering Sensor with Multi-Turn Position Output

SX-4429

The LH3 position sensor is ideally suited for steering systems.



Electrical

Position Signal Linearity (P1, P2)	±1.5%
Position Signal Microgradient (P1, P2)	±30% of theoretical slope over 2° interval
Multi-turn Position Accuracy (P3)	±3%
Multi-turn Position Sensed Angle	±900°
Total Resistance	932 Ω ±30%

Mechanical

Position Mechanical Travel	Continuous
Turning Torque (position rotor to housing)	0.06 NM maximum
Weight	95 grams maximum

Environmental

Operating Temperature Range	-40°C to +85°C
Shock	14 ms half-sine at 300 m/s ²
Vibration	10 to 55 Hz with 1 mm P-P constant displacement, 120 hours each of 3 planes
Position Rotational Life	1 million cycles
Storage Temperature Range	-40°C to +105°C

¹ Specifications subject to change without notice.

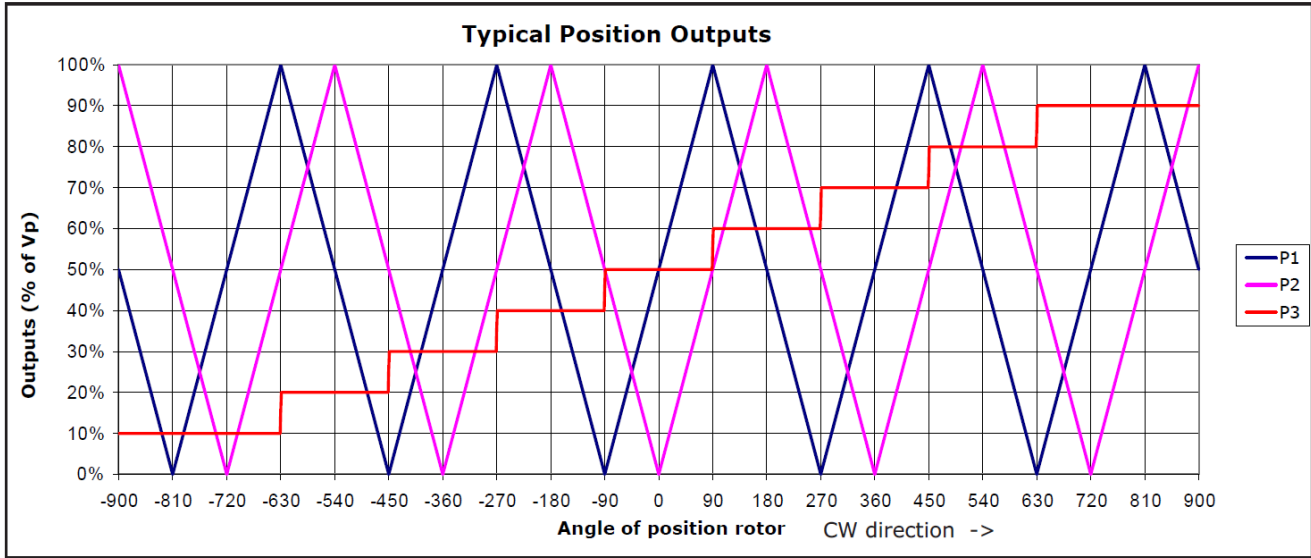


LH3 Steering Sensor with Multi-Turn Position Output

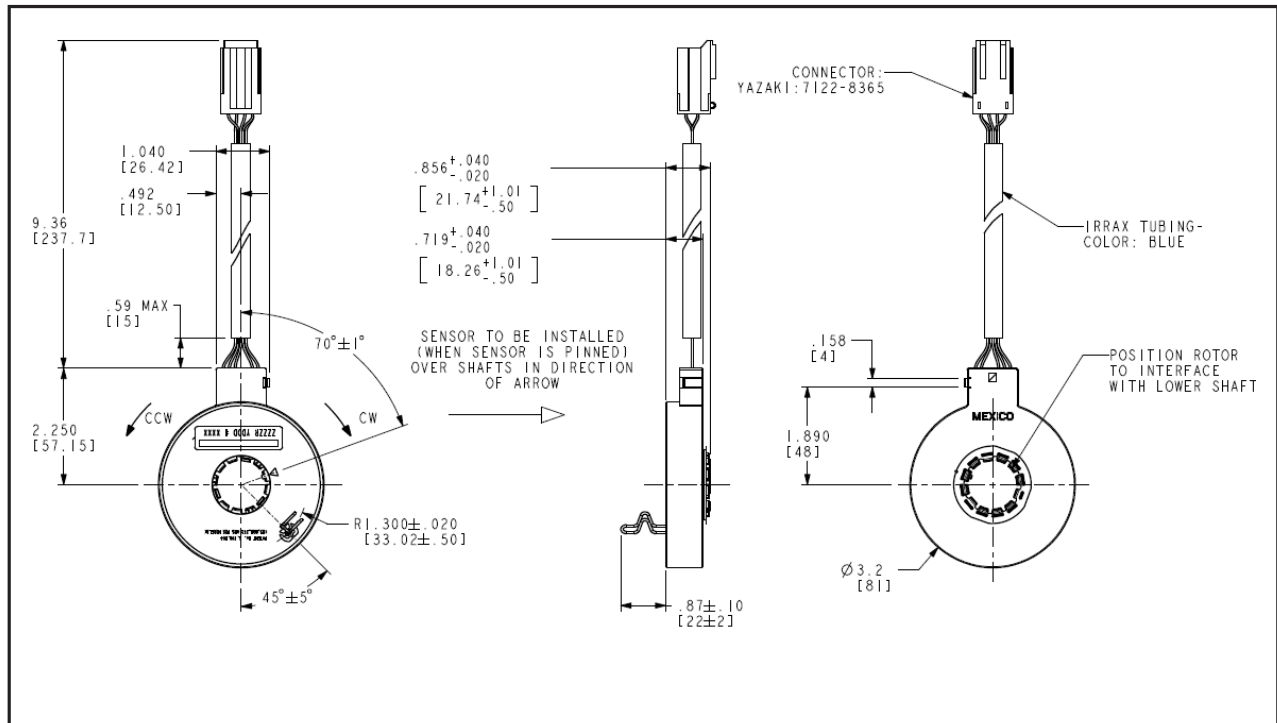
SX-4429



Output Charts



Outline Drawing



Tolerances ±0.25 mm unless otherwise specified. See drawing # 122-4429-80 for details.

General Note

TT Electronics reserves the right to make changes in product specification without notice or liability. All information is subject to TT Electronics' own data and is considered accurate at time of going to print.

© TT electronics plc

TT Electronics | BI Technologies
 413 Rood RD, Suite 7
 Calexico, CA 92231
 Ph: + 1 (714) 447-2345
www.ttelectronics.com/bi-technologies

LH3 Steering Sensor with Multi-Turn Position Output

SX-4429



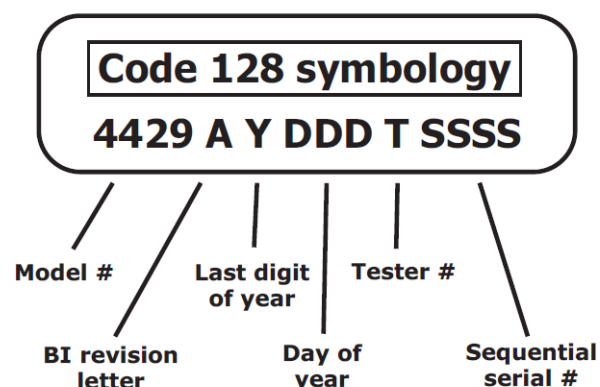
Pinouts

PIN OUTS-6 PIN CONNECTOR			
YAZAKI: 7122-8365			
2			1
6	5	4	3

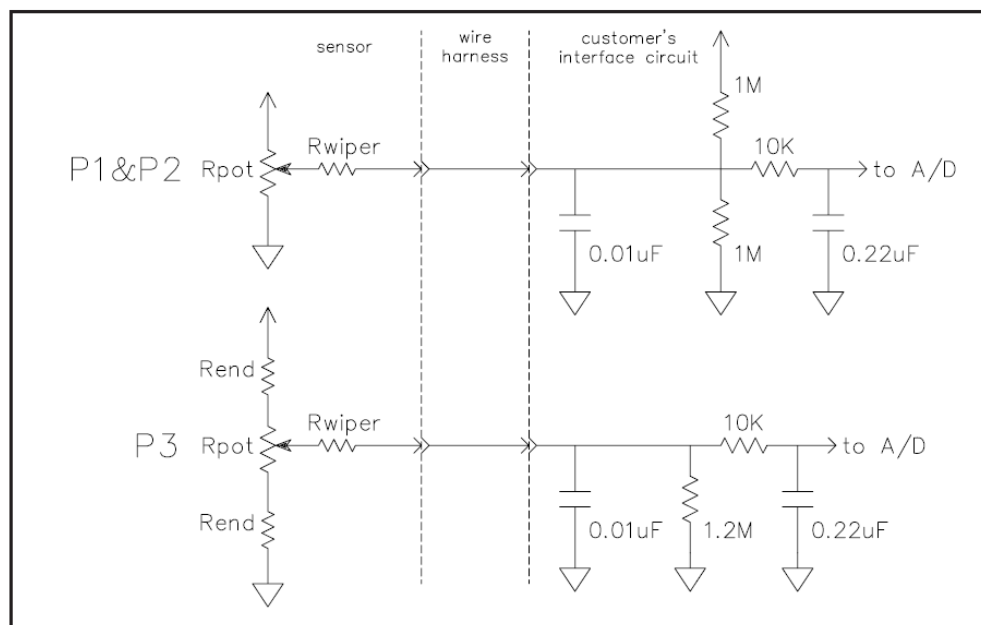
(PIN No'S ARE INDICATED AS WIRES ENTER CONNECTOR END)

PIN No.	SIGNAL	WIRE COLOR
1	Vcc	RED
2	GND	BLACK
3	PI	BROWN
4	P2	WHITE
5	P3	YELLOW
6	NOT USED	- - -

Barcode Label



Recommended Interface



General Note
 TT Electronics reserves the right to make changes in product specification without notice or liability. All information is subject to TT Electronics' own data and is considered accurate at time of going to print.

© TT electronics plc

TT Electronics | BI Technologies
 413 Rood RD, Suite 7
 Calexico, CA 92231
 Ph: + 1 (714) 447-2345
www.ttelectronics.com/bi-technologies