

INTERCHANGEABLE WALL PLUG POWER SUPPLY 5VDC 10WATT



STONTRONICS: T5848ST

Features:

- Interchangeable AC Heads
- 1 Year Warranty
- Level VI Efficiency
- Worldwide Approvals
- Safety approved to: UL62368-1, EN62368-1, BS EN62368-1



Description:

Our range of 10 Watt Interchangeable wall plug power supplies provide 10 Watts of continuous power with the flexibility of worldwide usage as they are supplied with UK, Euro, USA & Auz AC Heads , all Efficiency Level VI and carry worldwide safety approvals.

Specification	
Part Code	T5848ST
Input Voltage Range	90-264 Vac
Input Frequency Range	47-63Hz
Input Current Rated	0.3A Max
Input AC Heads	UK, Euro, USA & Auz
Output Voltage Rating	+5V
Output Current Range	2A
Output Min Current	0.A
Output Connection Type	USB Outlet
Total Output Regulation	±5%
Line and Load Regulation	±5%
Ripple & Noise	300mVp-p
Efficiency	79%Min
Over Voltage Protection	10VDC maximum with zener clamp
Over Load Protection	4A maximum with auto-recovery function
Operating Temperature	0°C to +40°C
Storage Temperature	-20°C to +60°C
Operating Humidity	20% to 85%
Storage Humidity	5% to 95%
Hi-Pot	3000VAC 10mA 1min
Leakage Current	0.25mA max
Safety Standard	UL/CUL, TUV-GS, SAA, CCC
EMI Standard	FCC, CE, RMC
MTBF	50K Hours
Size mm max.	61.9(L) x 39(W) x 32.4(H)
Weight	53 g

STONTRONICS

TT Electronics IoT Solutions Ltd

Tofts Farm East, Brenda Road, Hartlepool, TS25 2BQ, UK

t: +44 (0) 1429 852 500

General Note

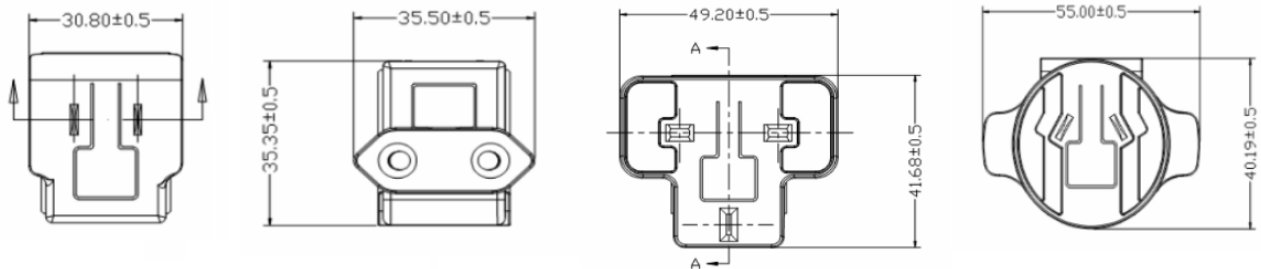
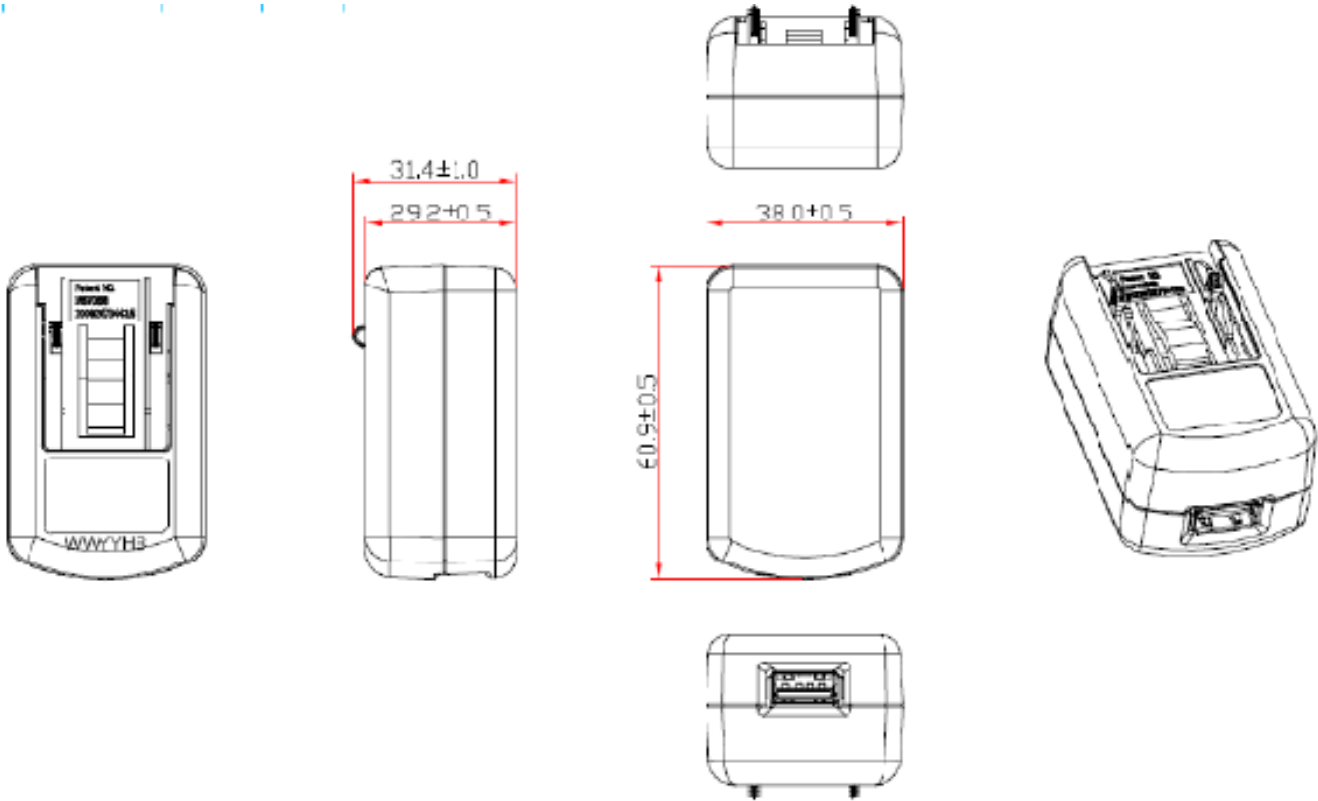
TT Electronics reserves the right to make changes in product specification without notice or liability. All information is subject to TT Electronics' own data and is considered accurate at time of going to print.

INTERCHANGEABLE WALL PLUG POWER SUPPLY 5VDC 10WATT



STONTRONICS: T5848ST

Diagrams



General Note

TT Electronics reserves the right to make changes in product specification without notice or liability. All information is subject to TT Electronics' own data and is considered accurate at time of going to print.

STONTRONICS

TT Electronics IoT Solutions Ltd
Tofts Farm East, Brenda Road, Hartlepool, TS25 2BQ, UK
t: +44 (0) 1429 852 500