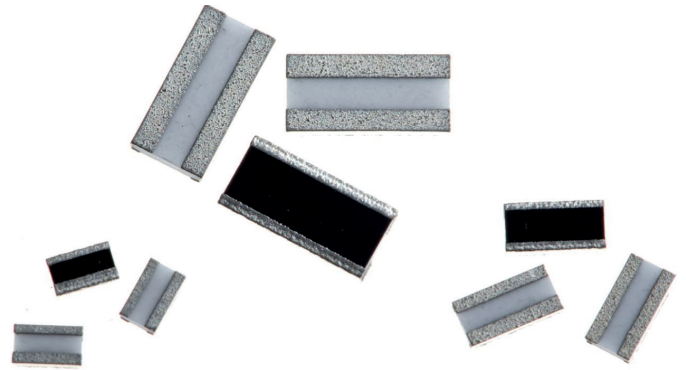


Thick Film High Power Chip Resistor

WHPC Series

Features

- Double the standard power for size
- Inverse terminated versions
- Small footprint
- Excellent pulse performance
- Extra-high-power range
- AEC-Q200 Qualified



 All parts are Pb-free and comply with EU Directive 2011/65/EU amended by (EU) 2015/863 (RoHS3)

Electrical Data

Standard range		1206	2010	0612	1020	1218	1225
Power rating @70°C	watts	0.5	1.0	0.5	1.0		1.5
Resistance range	ohms	1R0 to 10M		1R0 to 1M			10R to 1M
Limiting element voltage	volts	200					
Standard values		E24 (1% & 5%) & E96 (1%)					
Tolerance	%	1, 5		≤10R:5 >10R:1, 5		1, 5	
TCR(-55°C to 155°C)	ppm/°C	≤10R: 200 >10R-1M0: 100 >1M0: 200		<10R: 400 10R-100R: 200 >100R: 100			
Ambient temperature range	°C	-55 to +155					
Pad / trace area *	mm ²	50	60	40	50	50	90

*Recommended minimum pad & adjacent trace area for each termination for rated power dissipation on FR4 PCB

Extra-high-power range		0508X	0612X	1020X
Power rating @ 70°C	watts	1	1.5	2
Resistance range	ohms	1R0 to 1M		
Limiting element voltage	volts	200		
Standard values		E24 (1% & 5%) & E96 (1%)		
Tolerance	%	0.5, 1, 5		
TCR (-55°C to 155°C)	ppm/°C	<10: 150 ≥10: 100	100	<10: 150 ≥10: 100
Ambient temperature range	°C	-55 to +155		
Pad/trace area*	mm ²	50	60	80

*Recommended minimum pad & adjacent trace area for each termination for rated power dissipation on FR4 PCB

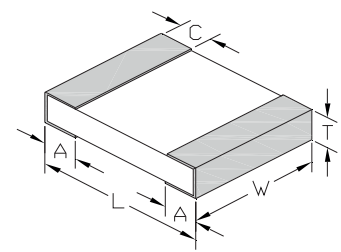
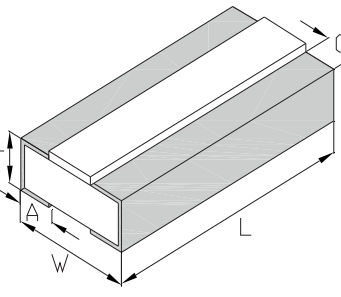
General Note

TT Electronics reserves the right to make changes in product specification without notice or liability. All information is subject to TT Electronics' own data and is considered accurate at time of going to print.

Thick Film High Power Chip Resistor

WHPC Series

Physical Data

Dimensions (mm) & weight (mg)							
	L	W	T	A	C	Wt.	
1206	3.1±0.1	1.55±0.1	0.55±0.1	0.5±0.2	0.5±0.25	9	
2010	5.0±0.2	2.5±0.15	0.55±0.1	0.5±0.2	0.6±0.25	25	
0508X	2.0±0.1	1.25±0.1	0.55±0.1	0.3±0.15	0.3±0.15	5	
0612	3.2±0.15	1.6±0.15	0.55±0.1	0.3±0.2	0.45±0.2	10	
0612X	3.0±0.15	1.55±0.1	0.55±0.1	0.25±0.15	0.4±0.15	9	
1020	5.0±0.15	2.5±0.15	0.55±0.1	0.4±0.2	0.6±0.2	26	
1020X	5.0±0.1	2.45±0.15	0.60±0.15	0.35±0.2	0.7±0.2	26	
1218	4.6±0.15	3.1±0.1	0.55±0.1	0.4±0.2	0.45±0.2	27	
1225	6.25±0.15	3.1±0.15	0.55±0.1	0.65±0.2	0.45±0.2	39	

Construction

Thick-film electrodes, resistor material, overglaze and organic protection are screen printed on an alumina substrate. Wrap-around terminations have an electroplated nickel barrier and matt tin plating; this ensures excellent leach resistance properties and solderability.

Marking

5% parts are marked with 3 digits. The first two digits are significant figures and the third digit is the number of zeros to follow. The letter "R" represents a decimal point.

1% parts have four digits, the first three digits are significant figures and the fourth digit is the number of zeros to follow. The letter "R" represents a decimal point.

Solvent Resistance

The body protection is resistant to all normal industrial cleaning solvents suitable for printed circuits.

General Note

TT Electronics reserves the right to make changes in product specification without notice or liability. All information is subject to TT Electronics' own data and is considered accurate at time of going to print.

Thick Film High Power Chip Resistor

WHPC Series



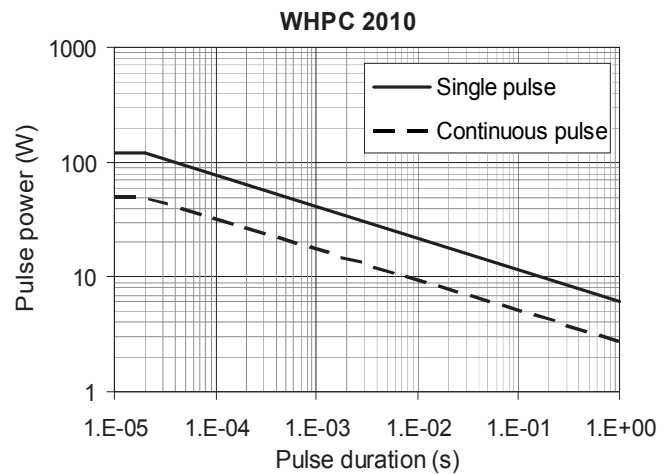
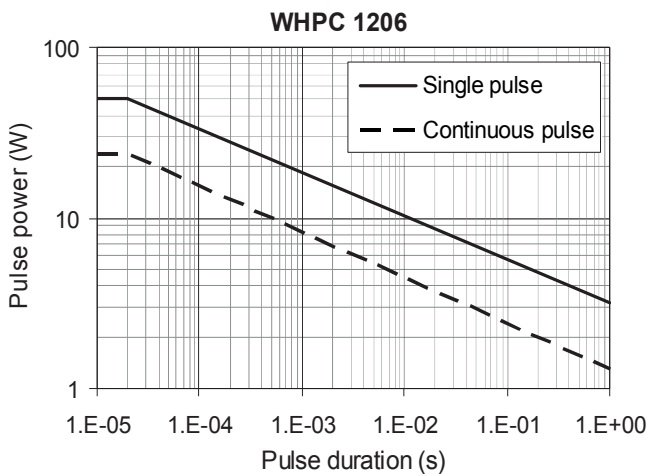
Performance Data

ref.	Test	Method	Max. (+0.05Ω except where stated)				Typ.
			Range:	Standard 1%	Standard 5%	Extra-high-power	
3	High Temp. Exposure *	MIL-STD-202 Method 108	±ΔR%	1	3	1	0.15
4	Temperature Cycling	JESD22 Method JA-104	±ΔR%	0.5	1.5 +0.1Ω	0.5	0.1
6	Moisture Resistance	MIL-STD-202 Method 106	±ΔR%	2 +0.1Ω	3 +0.1Ω	N/A	0.05
7	Biased Humidity *	MIL-STD-202 Method 103	±ΔR%	2	3 +0.1Ω	1+0.1Ω	0.2
8	Operational Life (Cyclic Load) *	MIL-STD-202 Method 108	±ΔR%	2	3 +0.1Ω	1+0.1Ω	0.2
14	Vibration	MIL-STD-202 Method 204	±ΔR%	0.5	1	0.5	0.1
15	Resistance to Soldering Heat *	MIL-STD-202 Method 210	±ΔR%	1		0.5	0.05
16	Thermal Shock *	MIL-STD-202 Method 107	±ΔR%	0.5	1	N/A	0.05
18	Solderability *	J-STD-002	>95% coverage				
21	Board Flex *	AEC-Q200-005	±ΔR%	1		1	0.25
22	Terminal Strength	AEC-Q200-006	no damage				
	Climatic *	Category 55/155/42	±ΔR%	2	3	N/A	0.2
	Short Term Overload *	6.25 x Pr or 2 x LEV for 5s	±ΔR%	1.5	2 +0.1Ω	1	0.15
	Pulse Loading Capability	10,000 pulses @70°C See graphs below	±ΔR%	2		N/A	0.5
	Insulation Resistance *	400V for 1 minute	≥10G				

1. Full AEC-Q200 qualification applies to 1206 and 2010 sizes, 0508X, 0612X & 1020X. Other sizes received the tests marked *.

Pulse Loading Capability

Test condition: 10,000 pulses at 70°C. Single pulse condition has mean power ≤ 10% of Pr. Continuous pulse condition has mean power = Pr.



General Note

TT Electronics reserves the right to make changes in product specification without notice or liability. All information is subject to TT Electronics' own data and is considered accurate at time of going to print.

BI Technologies IRC Welwyn

www.ttelectronics.com/resistors

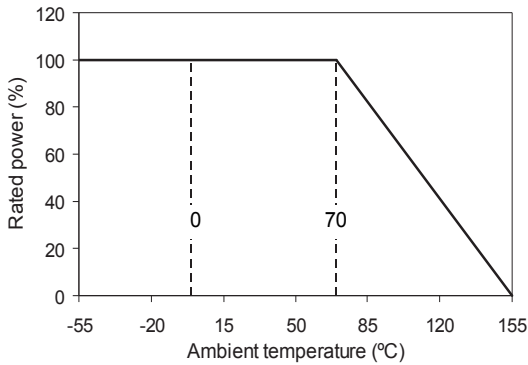
Thick Film High Power Chip Resistor

WHPC Series



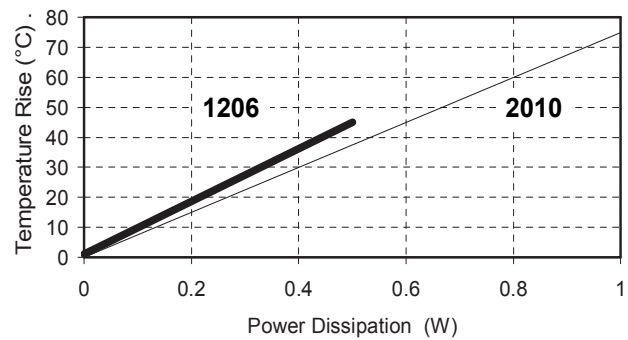
De-Rating Curve

WHPC All Sizes

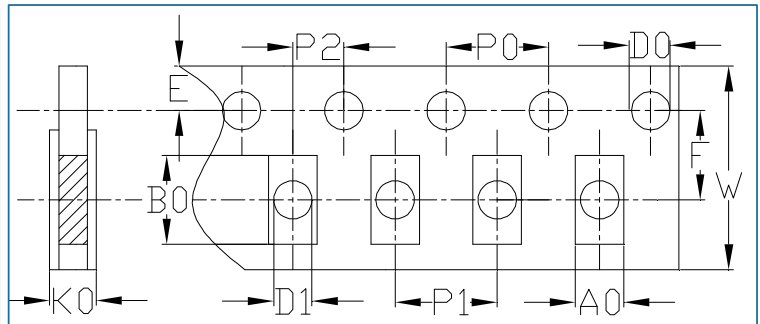
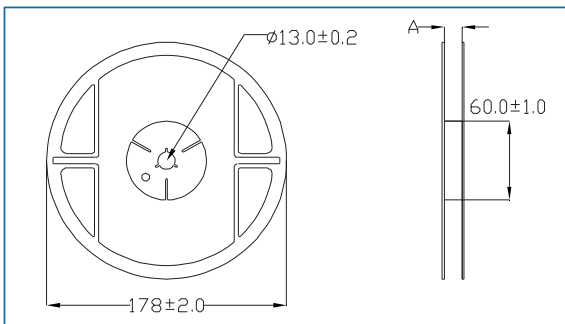


Temperature Rise (hotspot)

WHPC 1206 and 2010



Packaging



Tape dimensions in mm

Type	W	P1	P0	P2	D0	D1	E	F	A0	B0	K0	A
	±0.3	±0.1	±0.1	±0.05	±0.1	±0.2	±0.1	±0.05	±0.2	±0.2	±0.1	±1
1206	8.0	4.0	4.0	2.0	1.5	1.0	1.75	3.5	1.9	3.5	0.85	9
2010	12.0	4.0	4.0	2.0	1.5	1.5	1.75	5.5	2.79	5.5	1.2	13.0
0508	8.0	4.0	4.0	2.0	1.5	N.A	1.75	3.5	1.6	2.4	0.85	12.5
0612	8.0	4.0	4.0	2.0	1.5	N.A	1.75	3.5	2.0	3.60	0.81	10.0
1020	12.0	4.0	4.0	2.0	1.5	N.A	1.75	5.5	2.8	5.40	0.75	13.8
1218	12.0	4.0	4.0	2.0	1.5	1.5	1.75	5.5	3.5	4.80	1.0	13.8
1225	12.0	4.0	4.0	2.0	1.5	1.5	1.75	5.5	3.5	6.70	1.0	13.8

Ordering Procedure

Example: WHPC1206-10KFT5 (WHPC1206, 10 kilohms ±1%, Pb-free)



1	2	3	4	5	6
Series	Size	Range	Value	Tolerance	Packing
WHPC	1206	Omit for Standard	E24 = 3/4 characters	F = ±1%	T5 1206, 0508, 0612 5000/reel
	2010	X = Extra-high-power	E96 = 3/4 characters	J = ±5%	T4 2010, 1020, 1218, 1225 4000/reel
	0508	(0508, 0612, 1020 only)	R = ohms		
	0612		K = kilohms		
	1020		M = megohms		
	1218				
	1225				

General Note

TT Electronics reserves the right to make changes in product specification without notice or liability. All information is subject to TT Electronics' own data and is considered accurate at time of going to print.

BI Technologies IRC Welwyn

www.ttelectronics.com/resistors