

Slide Potentiometer

Model PSxxG



Features:

- With/without dust cover
- Stable sliding force
- 200,000 cycle life
- Metal lever
- RoHS compliant



Model Styles Available

Dual Gang , 45mm Travel	PS45G
Dual Gang , 60mm Travel	PS60G

Electrical

Resistance Range, Ohms	10K -1M
Standard Resistance Tolerance	± 20%
Resistance Tapers	A,B,C
Residual Resistance	Less than 1.0 ohms
Input Voltage, Maximum	300Vdc
Power rating, Watts	Linear B taper: 0.25W Other tapers: 0.125W
Dielectric Strength	300Vac, 1 minute
Insulation Resistance, Minimum	10M ohms at 250Vdc/ 1 minute
Sliding Noise	Less than 100mV
Gang Error	±3dB (-40dB to 0dB)

Mechanical

Static Stop Strength, Minimum	5.0 Kgf/cm
Operating Force	50gf max.

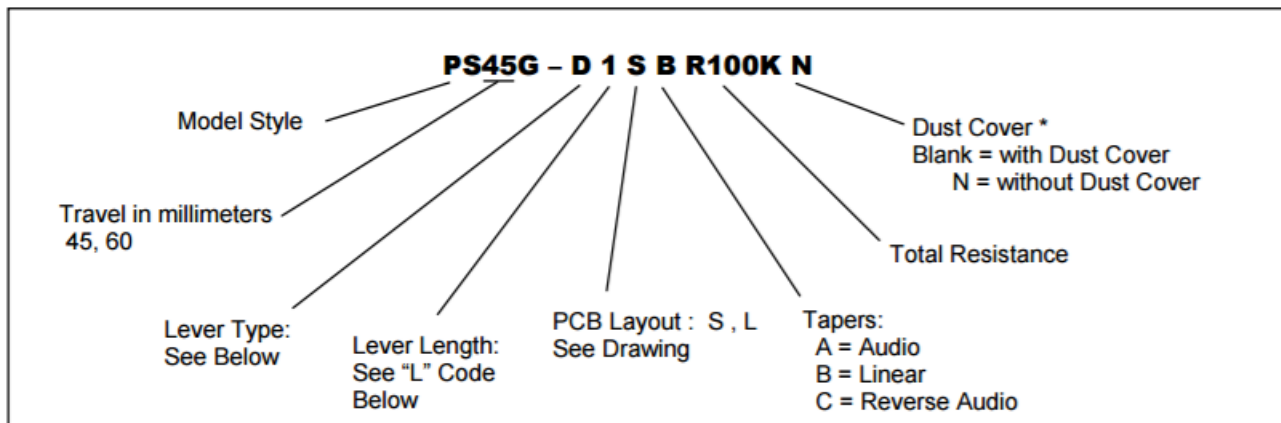
Durability

Sliding Life	200,000 cycles
--------------	----------------

General Note
TT Electronics reserves the right to make changes in product specification without notice or liability. All information is subject to TT Electronics' own data and is considered accurate at time of going to print.

TT Electronics | BI Technologies
Circulo de la Amistad #102 PIMSA IV Mexicali B.C. Mexico C.P 21210
Ph: +1 714 447 2345
www.ttelectronics.com/bi-technologies

Ordering



Standard Resistance Values, ohms

10K	20K	50K	100K	200K	500K	1 MEG
-----	-----	-----	------	------	------	-------

Lever Types & Length

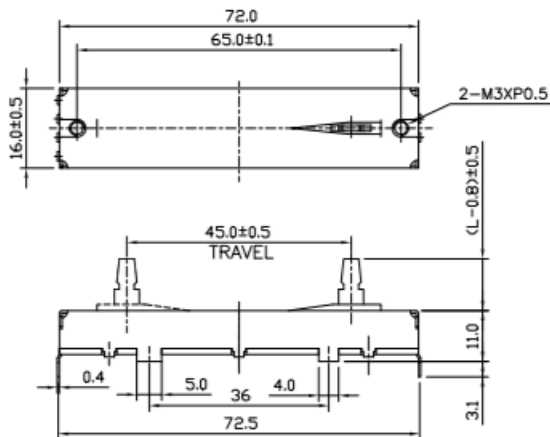
D-Type						B-Type					C-Type			A-Type			
L	12.5	15	17	20	25	L	8	12.5	13	20	F	10	M	11	12	12	
CODE	1	2	3	4	5	CODE	1	2	3	4	L	15	F	11	10	10	
											CODE	1	L	16	20	25	
													CODE	1	2	3	

*** Dust Cover option not offered for levers less than 10 mm in length**

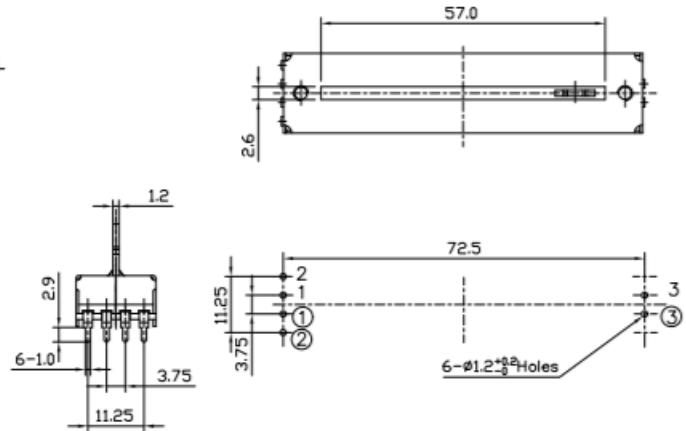
Outline Drawings

PS45G with L type PCB LAYOUT

With Dust Cover

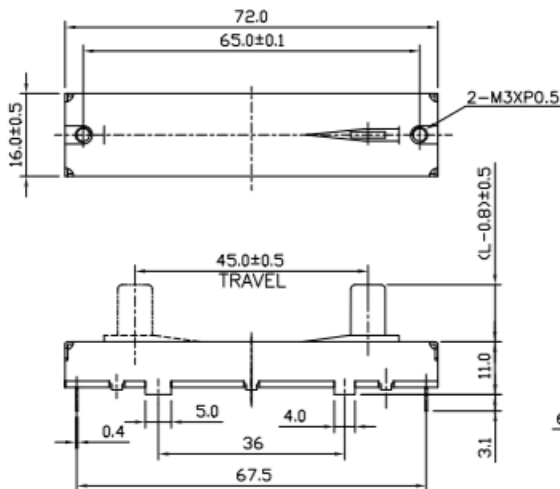


Without Dust Cover

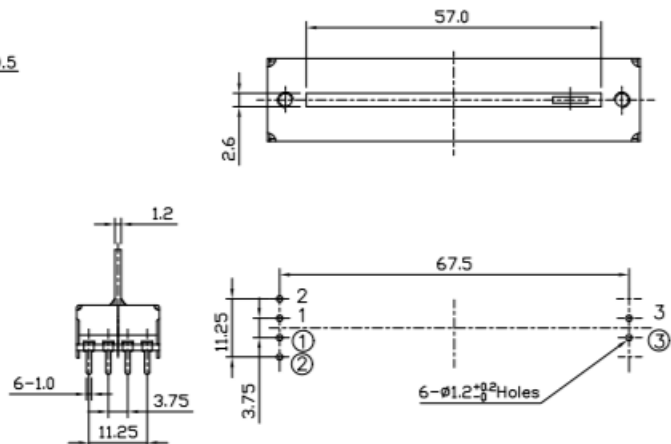


PS45G with S type PCS LAYOUT

With Dust Cover



Without Dust Cover

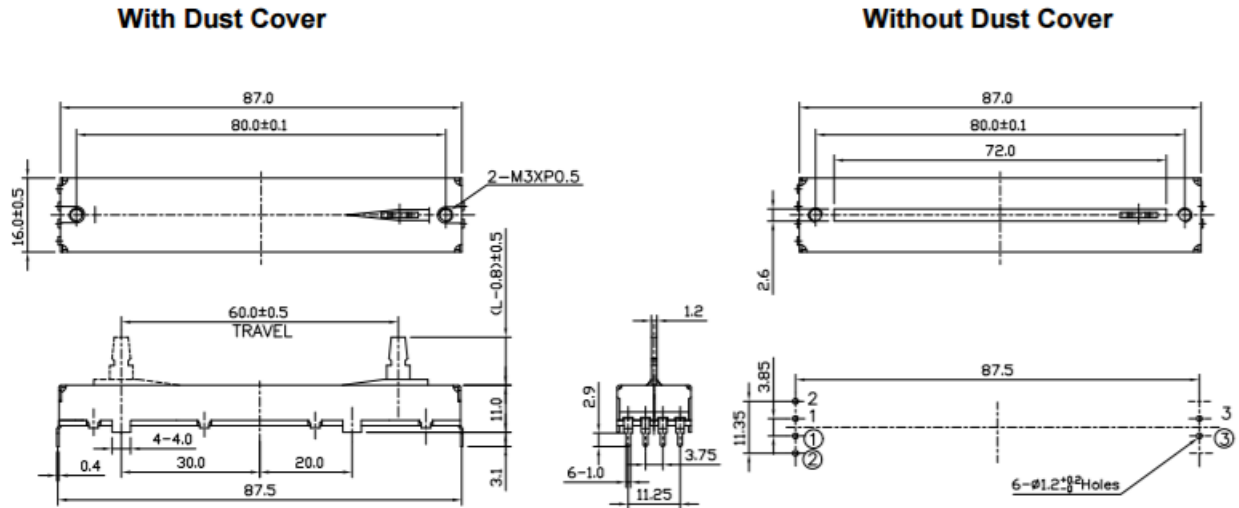


General Note
 TT Electronics reserves the right to make changes in product specification without notice or liability. All information is subject to TT Electronics' own data and is considered accurate at time of going to print.

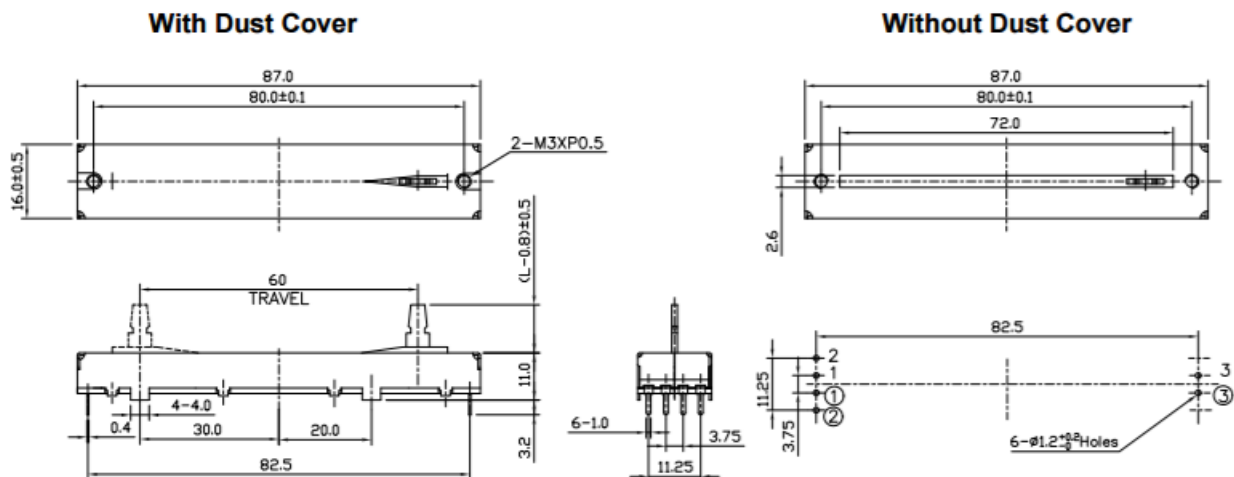
TT Electronics | BI Technologies
 Circulo de la Amistad #102 PIMSA IV Mexicali B.C. Mexico C.P 21210
 Ph: +1 714 447 2345
www.ttelectronics.com/bi-technologies

Outline Drawings

PS60G with L type PCB LAYOUT



PS60G with S type PCB LAYOUT



Circuit Diagram

PSxxG Dual Gang



General Note
 TT Electronics reserves the right to make changes in product specification without notice or liability. All information is subject to TT Electronics' own data and is considered accurate at time of going to print.

TT Electronics | BI Technologies
 Circulo de la Amistad #102 PIMSA IV Mexicali B.C. Mexico C.P 21210
 Ph: +1 714 447 2345
 www.ttelectronics.com/bi-technologies