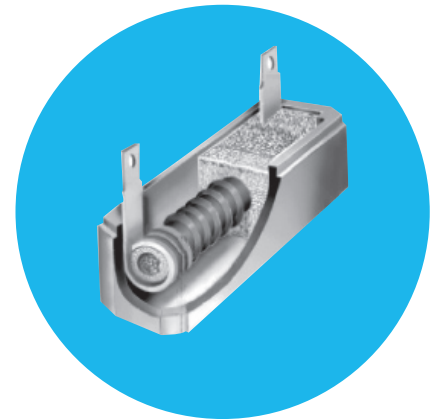


General Purpose Radial Terminal Power Wirewound Resistor



PW Radial Series

- 0.10 to 2.0K
- 20 watts to 50 watts
- $\pm 10\%$ or $\pm 5\%$ tolerance
- RoHS compliant construction available
- Custom parts available - consult factory

OBSOLETE

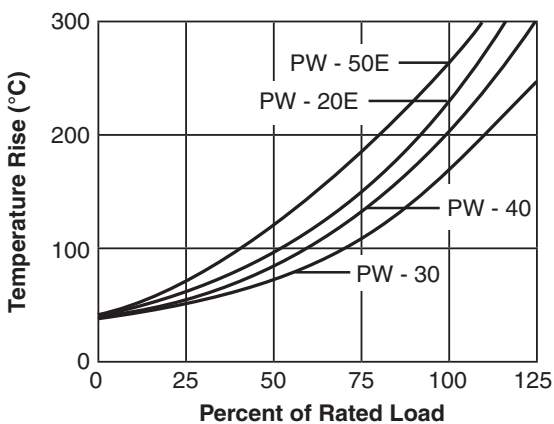
All Pb-free parts comply with EU Directive 2011/65/EU (RoHS2)

Electrical Data

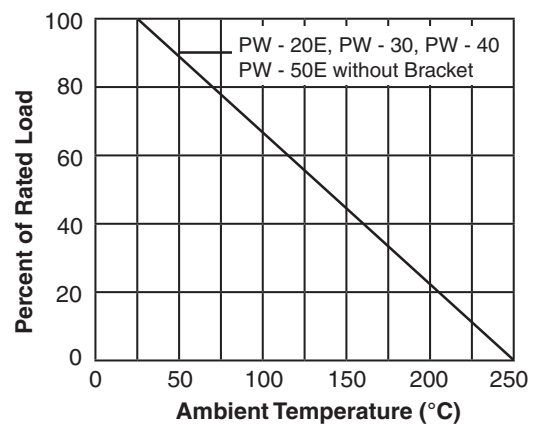
Type	Power Rating @ 25°C (watts)	Resistance Range (ohms)
PW-20E	20	0.1 to 2.0K
PW-30	30	0.5 to 1.2K
PW-40	40	0.65 to 1.5K
PW-50E	50	0.08 to 1.8K

- Flameproof inorganic construction
- EIA RS-344, insulated fixed wirewound resistors
- 1000 hour load life at 25°C: 5% max.
- Moisture no load 240 hours: 2% max.
- Temperature cycling (5 cyc.): 5% max.

Temperature Rise Chart



Power Derating Curve



With Bracket:
 PW-30 Increased to 40 watts
 PW-40 Increased to 50 watts
 PW-50 Increased to 60 watts

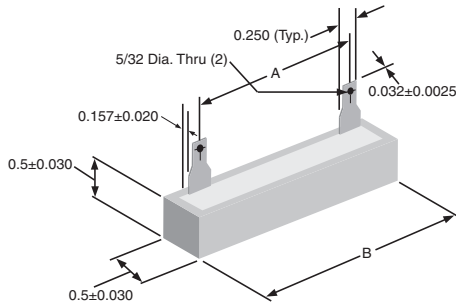
General Note

TT Electronics reserves the right to make changes in product specification without notice or liability. All information is subject to TT Electronics' own data and is considered accurate at time of going to print.

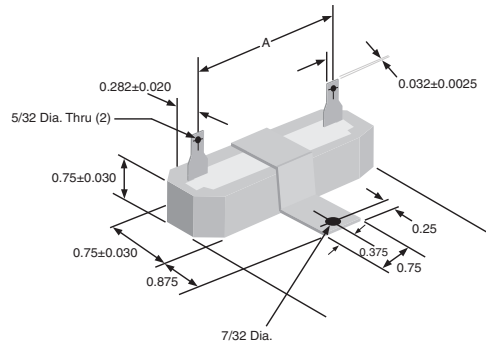
OBSOLETE

Physical Data

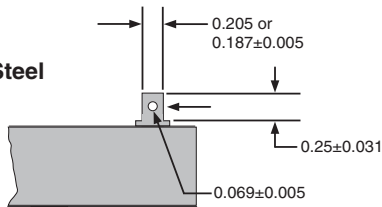
PW-20E Wirewound



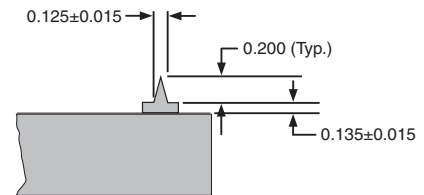
PW-30, 40 and 50E Wirewound



PW-20E Alternate Terminal Configuration -0.020" Tin coated Steel



Printed Circuit Terminal



Dimensions (Inches)

Type	A	B
PW-20E	1.875 ±0.030	2.5 ±0.060
PW-30	2.00 ±0.030	2.55 ±0.060
PW-40	2.45 ±0.030	3.00 ±0.060
PW-50E	3.075 ±0.030	3.625 ±0.060

General Note

TT Electronics reserves the right to make changes in product specification without notice or liability. All information is subject to TT Electronics' own data and is considered accurate at time of going to print.

OBSOLETE

Ordering Procedure

This product has two valid part numbers:

European (Welwyn) Part Number: PW50EBRK-1K2KI (PW50E with bracket, 1.2 kilohms $\pm 10\%$, Pb-free)



1	2	3	4	5
Type	Bracket	Value	Tolerance	Packing & Termination Finish
PW20E	BRK = with bracket	R = ohms	J = $\pm 5\%$	I = Standard packing & Pb-free
PW30	Omit if not required	K = kilohms	K = $\pm 10\%$	Bulk pack
PW40				
PW50E				

USA (IRC) Part Number: PW50EBRK1201KLF (PW50E with bracket, 1.2 kilohms $\pm 10\%$, Pb-free)



1	2	3	4	5
Type	Bracket	Value	Tolerance	Packing & Termination Finish
PW20E	BRK = with bracket	3 digits + multiplier	J = $\pm 5\%$	Omit for SnPb
PW30	Omit if not required	R = ohms for values <100 ohms	K = $\pm 10\%$	LF = Pb-free
PW40				Bulk pack
PW50E				

General Note

TT Electronics reserves the right to make changes in product specification without notice or liability. All information is subject to TT Electronics' own data and is considered accurate at time of going to print.