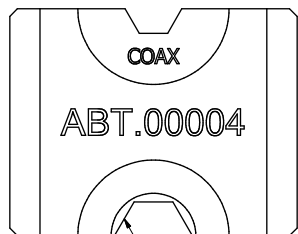
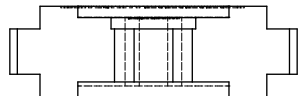


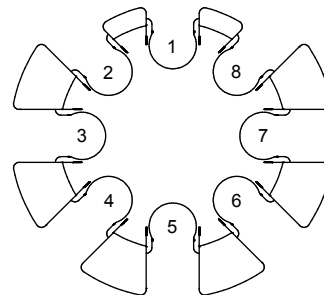
UNDERCUT FOR 1.5mm
GAP TO SHOULDER ON CONTACT



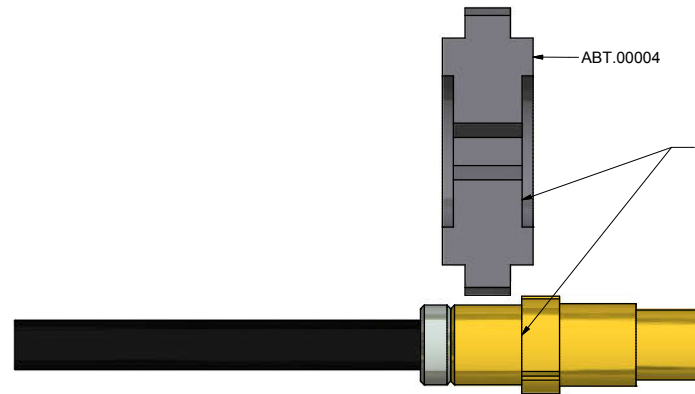
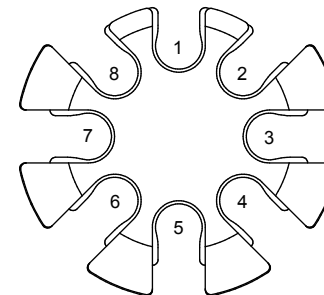
SHOULDER OF CONTACT TO BE
ON THIS SIDE OF THE TOOL



REAR VIEW
PIN CONTACT CARRIER



REAR VIEW
SOCKET CONTACT CARRIER



ABT.00004

SHOULDER OF CONTACT
TO SIT AGAINST THIS SIDE OF THE TOOL

Contact Part Number	Wire CSA (mm ²)	AWG	Tool Required	Tool Setting	Turret Locator / Die Set
M2400591	0.2	24	AFM8 (M22520/2-01)	3	M22520/2-09
	0.33	22		4	
M2404604	0.2	24		3	M22520/2-07
	0.33	22		4	
ABMP###PA	Ø8.1	----	ABBPL0550A1130	----	ABT.00004
ABMP###SA	Max Cable Dia.	----	ABB-D51	----	

TOLERANCE DETAILS (Unless otherwise stated):

TT Electronics

8 POLE CONTACT ASSEMBLY AID

GENERAL NOTES (Unless otherwise stated):

- ALL DIMENSIONS ARE IN MM
- DRAWING SHALL CONFORM WITH BS 6881-1
- FINISH CODES CONFORM TO INTERNAL SPEC. PRO-D51
- W DENOTES A FEATURE WHICH IS CRITICAL
- Ø DENOTES A FEATURE WHICH IS DIMENSIONAL
- UNLESS SPECIFIC CALLS OUT OTHERWISE THE INFORMATION CONTAINED ON THIS DRAWING SHALL TAKE PRECEDENCE

ORIGINATOR: MATHEW JONES | ORIGINAL DATE: 13/06/2018 | DOCUMENT TYPE: BUILD INSTRUCTIONS | DOCUMENT STATUS: RELEASED

DRAWN BY: | DATE: | AB SPEC 652

APPROVED BY: | APPROVED DATE: | THIRD ANGLE PREDICTION: [Symbol] | MASS: | SIZE: A2 | SHEET: 2 / 2 | REV: 1